

AD 850

BASIC

BASIC Plus



Revision 20241127-1



User and Safety Manual

GLP® AirDome User Manual

© 2024 German Light Products GmbH. All rights reserved.

The marks 'GLP' and 'German Light Products' are trademarks registered as the property of German Light Products GmbH in Germany, in the United States of America and in other countries.

The information contained in this document is subject to change without notice. German Light Products GmbH and all affiliated companies disclaim liability for any injury, damage, direct or indirect loss, consequential or economic loss or any other loss occasioned by the use of, inability to use or reliance on the information contained in this document.

GLP German Light Products GmbH
Industriestr. 2, 76307 Karlsbad
Tel: +49 (0)72 48 / 927 19 – 0
E-Mail: info@glp.de
Internet: www.glp.de

Service & Support EMEA:
GLP, Industriestrasse 2,
76307 Karlsbad, Germany
Tel. (Germany): +49 7248 9271955
Email: support@glp.de
www.glp.de

Service & Support USA:
GLP USA, 16170 Stagg Street,
91406 Van Nuys, California
Tel (USA): +1 818 767 8899
Email support (US):
info@germanlightproducts.com
www.germanlightproducts.com



Important Information

- Carefully read all documentation before use.
- Use the equipment strictly as instructed in this manual.
- Pay close attention to all notes and symbols on the product.
- Retain this documentation for future reference.
- Provide the documentation to any subsequent users of the equipment.
- Ensure the documentation always remains readily accessible near the system.
- Follow the instructions in the documentation for any additional components used.

Electrical Safety Warning

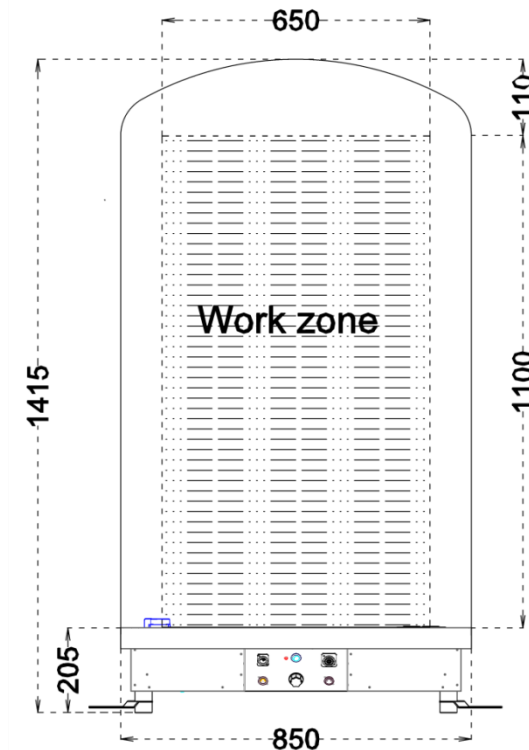


- Connect the equipment only to a properly grounded safety socket.
- Ensure the corresponding fuse is appropriately sized for the equipment's requirements.
- Always disconnect the equipment from the power supply completely before performing installation, cleaning, maintenance, or repairs.
- Do not clean the equipment using running water or by submerging it in liquid.

Maintenance and Repair

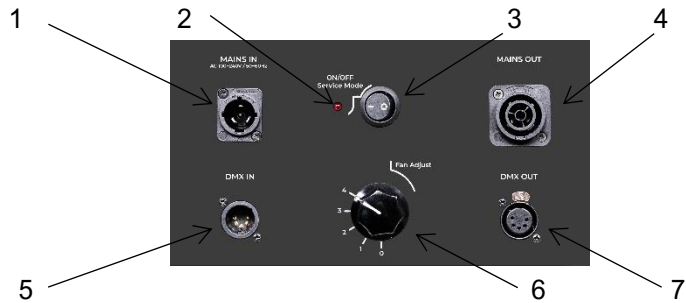
- Do not attempt to repair the equipment yourself. Contact customer service or your retailer for assistance.

5 Technical data / Dimensions (mm):



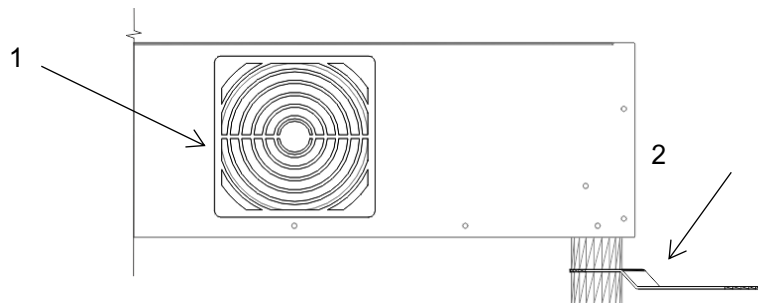
IP Rating (without rain cover)	IP20
(with rain cover)	IP43
5pin XLR wiring	(+) = pin 3; (-) = pin 2; (Ground) = pin 1
Weight	17 kg
Maximum load	50 kg
Voltage Range	100-240 VAC, 50/60 Hz
Power consumption (W) Basic	max. 45 W
Power consumption (W) Basic Plus	max. 140 W

3 Control panel



1. powerCON TRUE1 Input
2. LED control status
3. Service mode switch: 1 - pressure sensor is on (red LED flashes)
0 - pressure sensor is off
4. powerCON TRUE1 Output
5. 5pin XLR DMX Input
6. Fan Adjustment regulator
7. 5pin XLR DMX Output

4 Instructions and mounting options



1. Keep the air filter (model FE120FI30) clean as needed!
2. 4x Pads for fixing the device on surface or ground

Hot Surfaces



CAUTION!

- Certain parts of the equipment may become hot during operation.
- Ensure children are kept at a safe distance until the equipment has fully cooled down.

Proper Handling

- Modifying the equipment in any way is strictly prohibited.
- Avoid dropping the equipment or subjecting it to significant mechanical pressure, as this may cause severe damage.
- Conduct regular inspections of the equipment for signs of damage.
 - If damage is detected, immediately power off the equipment and disconnect it completely from the power supply.
 - Contact customer service or your retailer for assistance.

Proper Use Guidelines

This equipment is designed exclusively for commercial use. Personal or private use is strictly prohibited.

Operating Conditions:

- This equipment is suitable for both indoor and outdoor use.
- Do not operate the equipment in extreme weather conditions, including heavy rain or storms.

Air Totem Usage:

- Maximum permissible height: 5 meters (16 feet).
- Always use fixing pads to ensure stability, especially in windy or rainy conditions.

Important Notice:

- When operating outdoors, the included rain cover must be used.
- The IP43 protection rating is only guaranteed when the rain cover is properly installed.

Inflation:

- Inflate the rain cover or air totem using higher air pressure settings.
- Once fully inflated, adjust the pressure to the necessary maintainable level.

Purpose:

- This equipment is designed to protect small to medium-sized lighting systems from rain and other weather conditions.
- It can also be used indoors to simulate rain effects.
- The equipment must not be used for any purpose other than those specified.

User Restrictions:

- This equipment is not intended for use by individuals with limited physical, sensory, or mental abilities, or by those lacking experience or knowledge, unless supervised or properly instructed by a responsible person.

Liability:

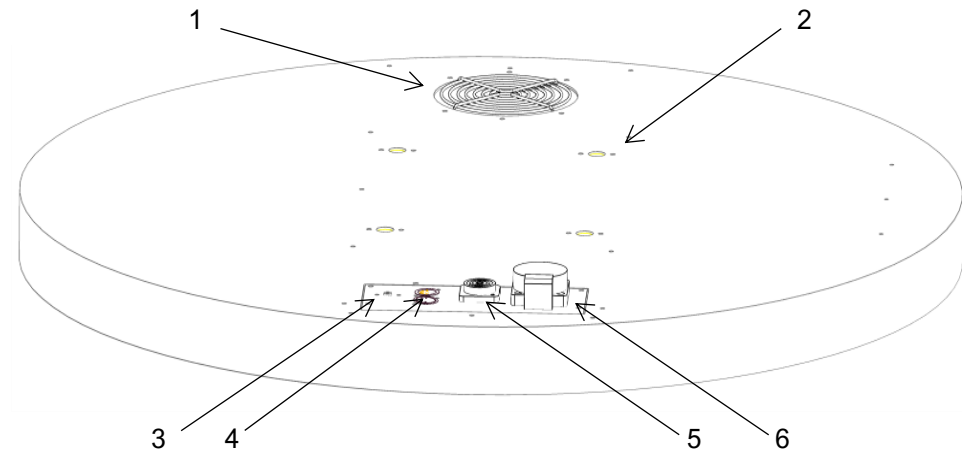
- The manufacturer accepts no liability for damages resulting from improper use of the equipment.

Transport and Storage

⚠ CAUTION!

- Avoid dropping the equipment or subjecting it to excessive mechanical pressure, as impact can cause damage.
- Do not lift the equipment by its moving parts. Always lift it securely by the main body, using both hands.
- Store the equipment only in dry, moisture-free areas.
- Use suitable packaging materials, or the original packaging provided, for safe storage and transport.

1 General Information / Product Overview



1. Fan cover – Do not cover for proper function!
2. Bracket Installation Holes
3. Pressure sensor – Do not cover for proper function!
4. 5 pin XLR DMX input/output for the light source
5. powerCON TRUE1 Output
6. CEE 7/3 (Schuko) socket (AC)

2 Accessories

Rain cover
(included only Basic)



powerCON True1
(included)



Bracket
(optional)

