

User and Safety Manual

AD 850

BASIC



Version 1.5



GLP German Light Products GmbH
Industriestr. 2, 76307 Karlsbad
Tel: +49 (0)72 48 / 927 19 – 0, Fax: -30
E-Mail: info@glp.de
Internet: www.glp.de

**Important information:**

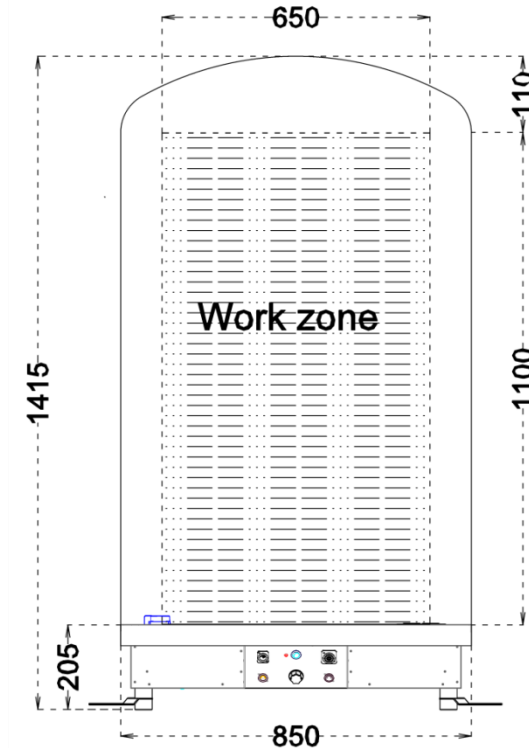
- Read documentation carefully
- Only use equipment as instructed in this document
- Observe notes and symbols on the product
- Keep documentation on hand for later reference
- Pass documentation on to the next user
- Keep available near the system at all times
- Observe documentation for additional components used as well

Danger from electrical voltage

- Only connect equipment to a grounded safety socket
- The corresponding fuse must be the correct size for the equipment
- Completely cut the power to the equipment before installation, cleaning, maintenance, or repairs
- Do not clean equipment under running water or by immersing in liquid

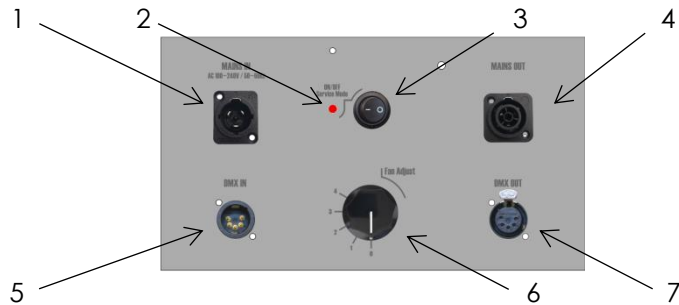
Maintenance and repair

- Do not repair equipment yourself. Contact customer service or retailer.

5 Technical data / Dimensions (mm):

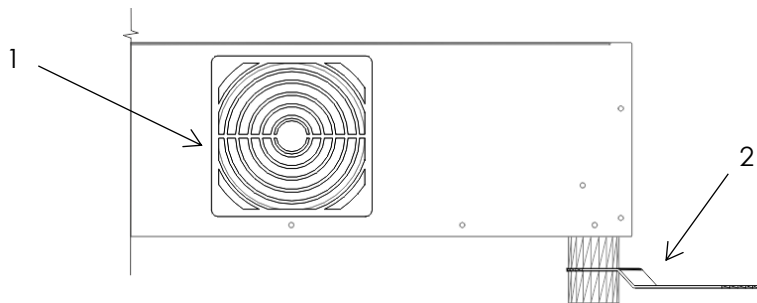
IP Rating (without rain cover/air totem) _____ IP 20
 (with rain cover/air totem) _____ IP 43
 5 pin XLR wiring ____ (+) = pin 3; (-) = pin 2; (Ground) = pin 1
 Weight _____ 17 kg
 Maximum load _____ 50 kg
 Voltage Range _____ 100-240 VAC, 50/60 Hz
 Power consumption (W) _____ max. 45 W

3 Control panel



1. powerCON TRUE1 Input
2. LED control status
3. Service mode switch: 1 - pressure sensor is on (red LED flashes)
0 - pressure sensor is off
4. powerCON TRUE1 Output
5. 5 pin XLR DMX Input
6. 4 position air regulation
7. 5 pin XLR DMX Output

4 Instructions and mounting options



1. Keep the air filter (model FE120FI30) clean as needed!
2. 4x Pads for fixing the device on surface or ground

Hot surfaces

- Accessible equipment parts will heat up during operation. Keep children out of reach until the equipment has cooled off.

Proper handling

- Do not make any modifications to the equipment
- Do not drop equipment or expose it to severe mechanical pressure. The equipment can sustain heavy damage from the impact.
- Regularly check equipment for damage. If damaged, turn the equipment off and fully disconnect from the power supply. Contact customer service or retailer.

Correct use

This equipment was developed for commercial use only. Private use is prohibited.

It may only be operated indoors or outdoors. Do not use the device in extreme weather conditions such as heavy rain or storms.

Maximal optional air totem high 5m!

Please use fixing pads for stability, especially in windy and rainy weather.

Attention:

Only operate equipment outdoors while using the rain cover included. The degree of protection IP43 can only be guaranteed with the rain cover.

Inflate the rain cover/air totem by using higher air positions.
After inflation, reduce the regulation to the necessary maintainable pressure.

The equipment is for the purpose of protecting small and medium-sized lighting systems from the impact of rain and other weather. The equipment may be used indoors to provide protection from rain effects. It may not be used for another purpose.

This equipment is not designed to be used by persons with limited physical, sensory, or mental abilities or insufficient experience and/or insufficient knowledge, unless supervised by a person responsible for their safety or have received instructions from them on how to use the equipment.

The manufacturer is not liable for damage that occurs as a result of improper use of the equipment.

Transport and storage

Attention:
Do not drop equipment or expose it to severe mechanical pressure. The product can sustain damage from the impact.

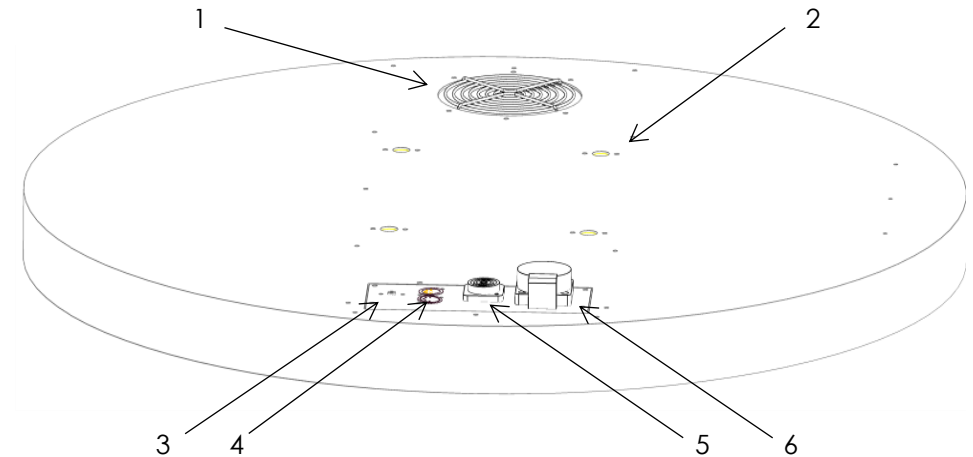
Only store equipment in dry areas.

Do not lift equipment by moving parts.

Use appropriate packaging material or the packaging material provided for storage and transport.

To lift the equipment, grip it by the body with both hands.

1 General Information / Product Overview



1. Fan cover – Do not cover for proper function!
2. Bracket installation holes
3. Pressure sensor – Do not cover for proper function!
4. 5 pin XLR DMX input/output for the light source
5. powerCON TRUE1 Output
6. CEE 7/3 (Schuko) socket (AC)

2 Accessories

Rain cover
(included)



PowerCON cable
(included)



Bracket
(optional)

