

Instruction Manual

impression[&]
X4S



from software version: V1.16



— since 1994 —

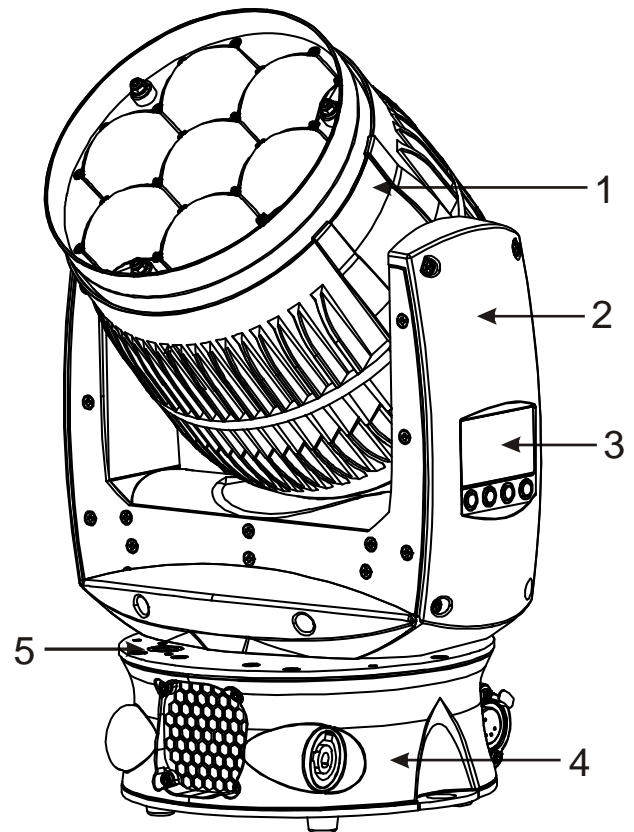
support@glp.de
www.glp.de

Table of contents

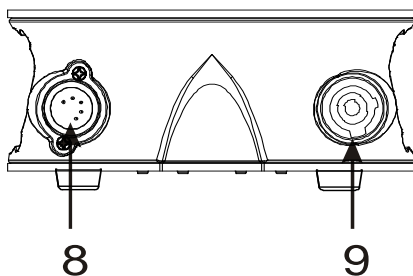
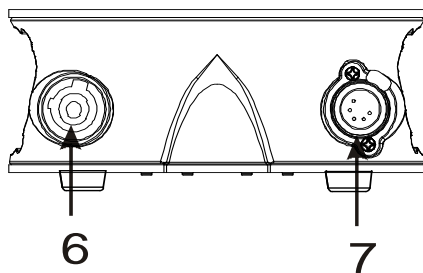
1	Description of Device	4
2	Safety Instructions	5
3	Mounting	7
	3.1.1 <i>Operating on the Floor (Upright)</i>	8
	3.1.2 <i>Mounting in hanging position</i>	8
	3.1.3 <i>Mounting in sideways Position</i>	9
	3.2 <i>Securing the Fixture</i>	10
	3.3 <i>Connections</i>	10
	3.3.1 <i>Power Supply</i>	10
	3.3.2 <i>NEUTRIK® powerCON</i>	10
	3.3.3 <i>DMX</i>	11
4	The Menu Field	12
5	DMX Channel Selection (DMX Protocol)	14
	5.1 <i>Normal-Mode 18 DMX channels</i>	14
	5.2 <i>Compress-Mode 14 DMX channels</i>	16
	5.3 <i>High Resolution (Extended) -Mode 19 DMX Channels</i>	17
6	Maintaining and Cleaning the IMPRESSION X4S	19
	6.1 <i>Safety regulations</i>	19
	6.2 <i>Maintenance and Interval (rule-of-thumb)</i>	19
	6.3 <i>Changing the Fuse</i>	20
7	Technical Specifications	21
8	Dimensions	22
9	Index	23

1 Description of Device

1. Moving head (actively and passively cooled)
2. Arm of device
3. LCD-Display/Menu (data entry)
4. Base with various connectors, air in/outlets and mounting system
5. Fuse holder (2x)



Base sideview:



6. Mains Out (powerCON)
7. DMX- Output (5-pin)
8. DMX- Input (5-pin)
9. Mains In (powerCON)

2 Safety Instructions



The **IMPRESSION X4 S** is a High-Tech Product. To guarantee a smooth operation, it is necessary to respect the following rules. The manufacturer of this device will not take responsibility for damages through any disregard of the information provided in this manual. Warranty claims also will be voided in the case that the fixture housing is opened.



Never look directly into the beam of light or into one of the LEDs. **Attention:** LED Class 2M can cause injuries of your eyes even without optical instruments in front of them or within a distance of less than 0.5m and short exposure time.

Hence: Avoid direct radiation into your eyes!



WARNING:

Never let optical parts come in contact with alcohol, solvents or similar cleaners.

1. Before powering on the fixture, make sure that the fixtures fans and air inlets are clean and not blocked.
2. Ensure that the fixture head can rotate unhindered throughout its complete range of pan and tilt movement. A safety distance of at least 0.5 m must be maintained between the fixture and any easily inflammable material (e.g. decoration material).
3. **Attention!** Don't touch the fixture during the operation. This can cause injuries and/or damages.
4. **The fixture doesn't contain any user serviceable parts. Opening the fixture will void all warranties.**
5. It is necessary to wait at least 15 minutes after disconnecting the mains power before handling the fixture.. Pay attention to possible hot parts of the fixture.
6. To ensure safe operation, follow also the Installation guide described in the chapter below. Operating the **IMPRESSION X4 S** without suitable safety aids like Safety cables or clamps/hooks can increase the risk of an accident and must be avoided.
7. Repair, maintenance, and installation work shall be done by qualified or GLP certified staff only. You need to pay attention to the common rules of technology that are not explicitly mentioned in this manual.
8. Use only original GLP spare parts. Any structural modification of the system will terminate all warranty claims.
9. Please keep this instruction manual for future reference.



Important Safety Information

The **IMPRESSION X4S** fixture from GLP is fitted with a number of plano-convex lenses in a highly efficient collimator cluster. This type of lens can act as a strong magnifying glass.

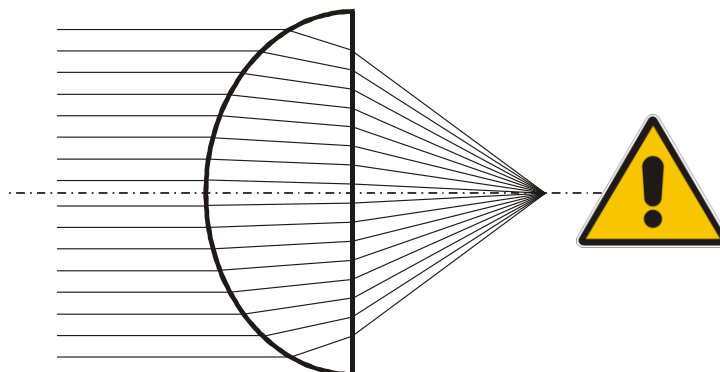
If the rays from a strong light source (such as the sun or another lighting fixture) are directed towards the front of any of these fixtures, then internal damage may occur. In a worst case scenario with a high power light source this can happen very quickly, damaging the fixture internally, potentially melting components or causing an internal fire within seconds.

In order to avoid these possible problems please adhere to the following requirements:

- **Do not expose the front of a fixture to direct sunlight or any other strong light sources.**
- **For outdoor applications during daylight make sure that the front face of any fixture is either shielded or points away from the sun, even when fixtures are not in use.**
- **Do not modify the front glass or lenses of any fixture.**

These requirements have to be followed regardless of whether a fixture is powered on or off as the magnifying effect is an optical effect and therefore independent from the (electrical) state of the fixture.

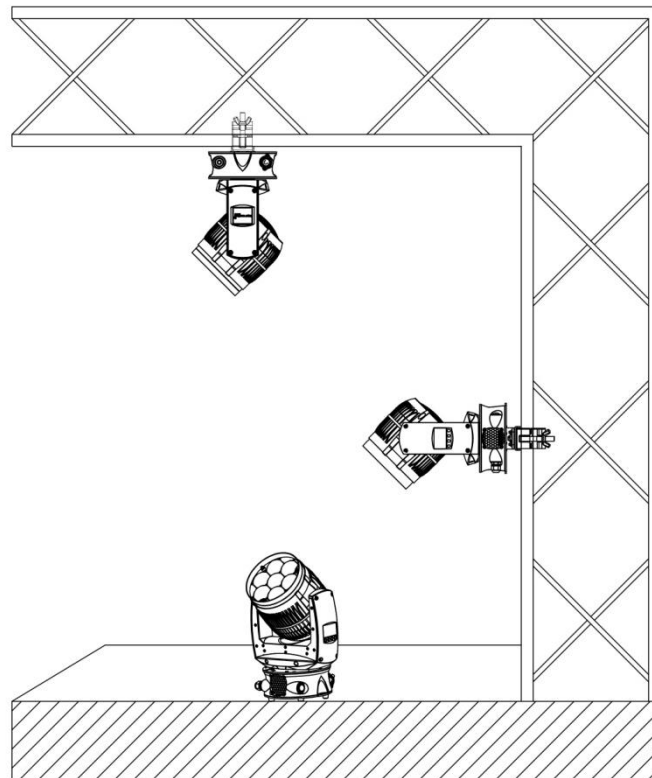
Especially when working with high powered **beam-lights**; extreme caution and observance of these safety instructions is mandatory.



Should you have any questions about the operation of your fixture then please contact your local GLP office, or their authorized distributor, a list of which can be found at www.glp.de.

3 Mounting

The **IMPRESSION X4S** is fully operational whether it hangs or is mounted to the wall. It can also be operated while standing on the floor. Keep a safety distance of min. 0.5 m towards any easily inflammable materials (decoration etc.).



**Pay attention to the regulations of: BGV C1 (former VBG 70),
DIN VDE 0711-217 and BGI 810-3.**

The installation shall be done by qualified staff only.

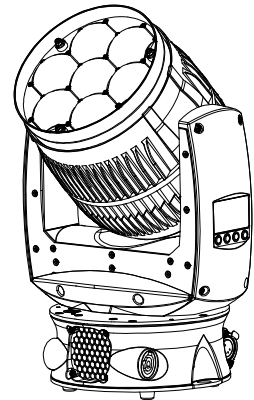
For the various mounting positions of the **IMPRESSION X4S** (standing on the floor, sideways or hanging) different connectors are available. Through this a safe and firm installation is assured. You'll find dedicated M10 threads on the bottom side of the fixture which should be used. In addition the top of the base is marked with a **FRONT** arrow allowing consistent orientation during installation.



Fixture from below

3.1.1 *Operating on the Floor (Upright)*

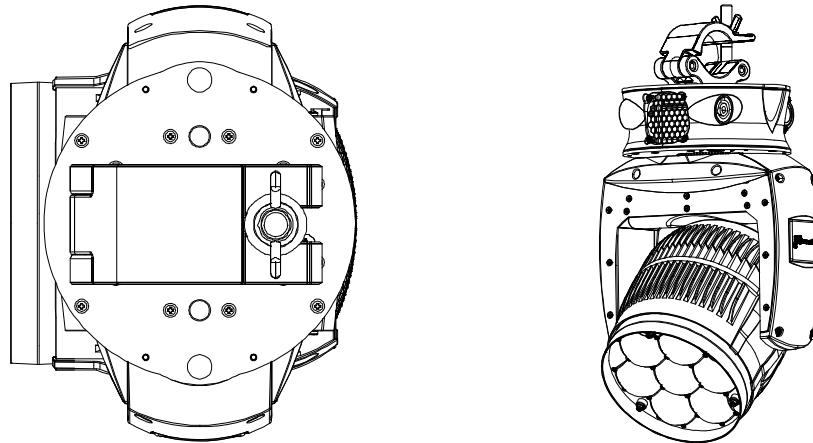
The **IMPRESSION X4S** is fitted with 4x solid rubber feet which allows a stable standing of the fixture. An additional securing is usually not required. Please pay attention to an even and gripping surface.



3.1.2 *Mounting in hanging position*

To operate the **IMPRESSION X4S** in a hanging position please use a half-coupler (clamp). This can be mounted directly to the bottom side of the fixture. It should be attached centrally with a M10 mm thread bolt (**max. length 11mm**).

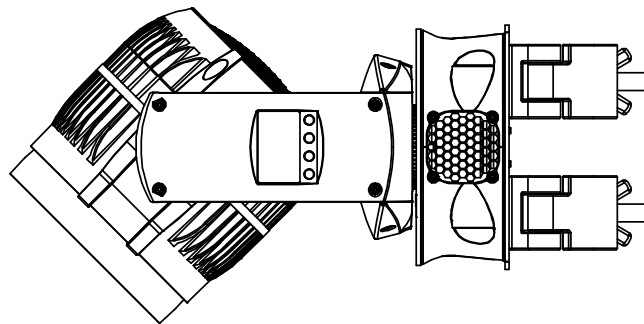
Attention: Never use a longer bolt as this may damage the interior of the fixture.



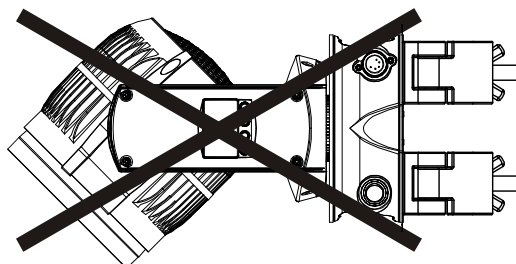
3.1.3 Mounting in sideways Position

To operate the **IMPRESSION X4S** in a sideways position please use two half-couplers (clamps) attached to the bottom side of the base. They should be attached with M10 mm thread bolts (max. length 11mm).

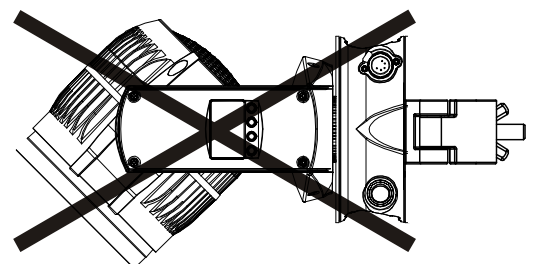
This technique is necessary to cope with the torque which accrues in this mounting position. Never use the "Mounting in hanging position" technique described above to fasten the fixture in the sideways position. A safe and sound installation cannot be assured in this way. In addition this can damage the fixture base.



2x half-couplers
fan outlet must be facing sideways



fan outlet facing up-/downwards



1 x half-coupler

Warning: Risk of fire and electric shock

3.2 Securing the Fixture

Regardless of the mounting method of the **IMPRESSION X4S** you'll have to use a stipulated safety wire. Attach the safety wire through one of the two holes provided on the base of the fixture and connect it to the primary support structure. Pay attention to a safe and proper fastening. The safety cable must comply with BGI 810-3 (EN 60598-2-17 Section 17.6.6) and be capable of bearing a static suspended load that is ten times the weight of the fixture and all installed accessories.

3.3 Connections

3.3.1 Power Supply

~100-240 Volt AC, 50-60 Hz, powerCON AC connector

Connected load 110 VA (W) \Leftrightarrow T2A (2x micro-fuse 5x20mm)

Please also see the printing on the case!

Disconnect from the mains supply for changing the fuse and use only the above described micro-fuse type.

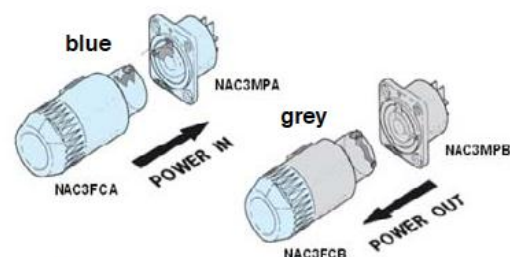
3.3.2 NEUTRIK® powerCON

The IMPRESSION X4S is fitted with NEUTRIK® powerCON locking 3 conductor AC connectors.

The grey connector must be used to draw AC mains power from the fixtures' throughput sockets and the blue connectors must be used to supply power at the fixtures' power input socket.

The total number of fixtures in one interconnected chain depends on your local AC mains voltage but you must never connect more than a total load of 20A to stay within the limits of the connector. The total load includes all connected fixtures including the first one in the chain.

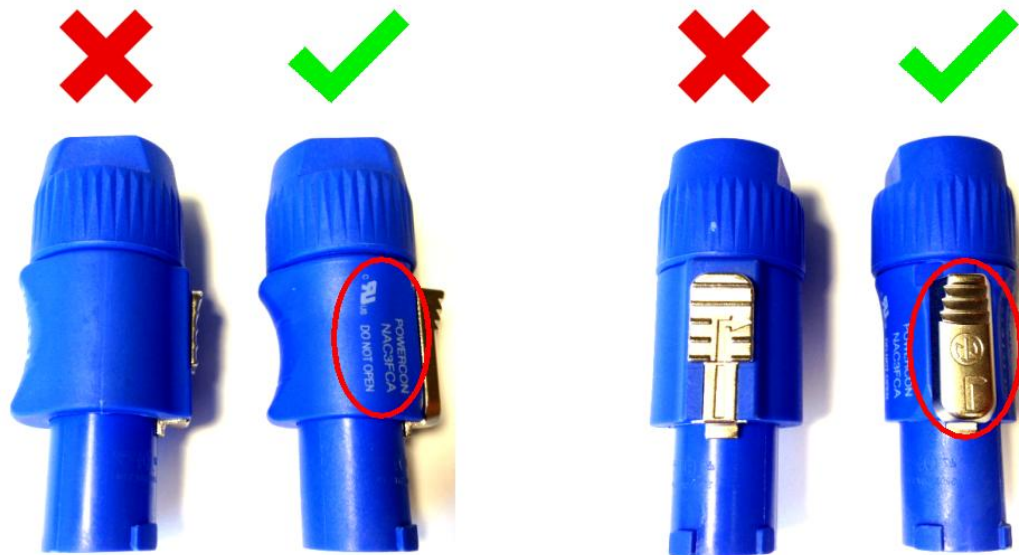
Note: The maximum allowed total - load is 20A including the first fixture in one interconnected daisy chain.



Picture: Courtesy of NEUTRIK® AG

Please note that there are two different generations of NEUTRIK® powerCON connectors (Type NAC3FCA). Due to different mechanical dimensions, only the newer version of these two can be used for **impression X4S** fixtures.

You can identify the correct version by the imprint on the side and the NEUTRIK® Logo on the lock latch.



3.3.3 DMX

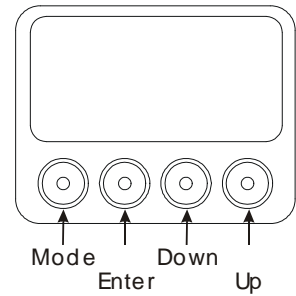
USITT DMX-512 Standard input/output in 5-pin connectors.

Pin 1 = [Ground] / Pin 2 = [-] / Pin 3 = [+] / Pin 4 & 5 N.C.

The DMX- Addressing starts at the DMX- Address [001].

4 The Menu Field

You'll find the control board on the side part of the arm. It allows you to make all necessary adjustments of the **IMPRESSION X4S**. With the **Mode**-key you get into the main menu. Afterwards you can navigate through the menu with the **Up/Down**-keys. Push the **Enter**-key to get in the next menu level or to confirm your settings. Make them and set functions **ON/OFF** with the **Up/Down**-keys. Confirm and save it with the **Enter**-key (the display shows **OK**). Push the **Mode**-key to cancel the entry and go back to the main menu.



To lock or unlock the keys of the menu field press **Mode+Enter+Up** simultaneously.

← MODE - ENTER →

Level1	Level 2	Level 3	Level 4	Remark
DMX Start Address 001				Set the DMX start address
← DOWN - UP →	Special	Manual DMX		Manual control of all fixture functions
			Pan	Manual control for Pan (X-movement)
			Pattern Byte 1	Manual control for Pattern Byte 1 LED 1 - 7
			Pattern	Manual control for Pattern channel / bank
			Zoom	Manual control for Zoom
			Speed Movements	Manual control for Pan/Tilt movements
			Pan/Tilt Movements	Manual control for Pan/Tilt movements
			Special	Manual control for Special functions
			White Temperature	Manual control for Color temperature
			Dimmer	Manual control for Dimmer
			Shutter	Manual control for Shutter
			White	Manual control for White
			Blue	Manual control for blue
			Green	Manual control for green
			Red	Manual control for red
	Color Wheel	Manual control for the color wheel		
	Tilt	Manual control for Tilt (Y-movement)		
		Adjust		
			Key code xxxx	Use the code for entering the calibration menu (for authorized persons only)
			Display Contrast	Adjustment for the Display contrast
			PWM - Frequ. Adj.	Changes PMW frequency
			Max Zoom adjust	Calibration of Zoom-offset
			Pan Offset	Calibration for Pan-offset
			Tilt Offset	Calibration for Tilt-offset
			LED 100mA/1A adjust	Adjust dimming of the LEDs
	LED adjust			
		White adjust red	Adjust intensity for red channel	
		White adjust blue	Adjust intensity for blue channel	
		White adjust green	Adjust intensity for green channel	

← DOWN - UP →

	Clear EEPROM	Erase EEPROM memory
	BL-Diagnose	Diagnose of Boot-loader
	Diagnose	Diagnose fixture functions
Temperature Head		Read out head temperature
Default full feature		Reset all settings to factory defaults
Display Black out		Auto switch-off display illumination after 10 seconds
DMX hold		Holds last DMX signal in case of signal loss
DMX Image		
	Set image if DMX off	Activates a stored scene if DMX is off
	Save image in memory	Stores the scene currently sent to the unit
Set dimming mode		Linear Dimming / Extr. soft dimming / Soft dimming
DMX input Monitor		Indicates the presently received DMX signal per DMX channel
	Pan	Instantaneous value for Pan
	Pattern Byte 1	Instantaneous value for Pattern Byte 1
	Pattern	Instantaneous value for Pattern channel / bank
	Zoom	Instantaneous value for Zoom
	Speed Movements	Speed adjustment for Pan/Tilt movements → see item below
	Pan/Tilt Movements	Instantaneous value for Pan/Tilt movements
	Special	Instantaneous value for Special
	White Temperature	Adjustment of the color temperature for WHITE
	Dimmer	Instantaneous value for Dimmer
	Shutter	Instantaneous value for Shutter
	White	Instantaneous value for White
	Blue	Instantaneous value for Blue
	Green	Instantaneous value for Green
	Red	Instantaneous value for Red
	Color Wheel	Instantaneous value for Color Mixing unit
	Tilt	Instantaneous value for Tilt
Self test program		Initiates a self-test program
Live time		On-time of fixture
Set DMX Mode		Select the desired DMX Mode
	Compressed Mode	Fixture works in "Compressed" mode → see also section 5 unterhalb
	Normal Mode	Fixture works in "Normal" mode → see also section 5 unterhalb
	High-Res. Mode	Fixture works in "High Resolution" mode → see also section 5 unterhalb
Position feedback		Switch automatic position feedback ON/OFF
Reverse Pan		Invert Pan movements: ON/OFF
Reverse Tilt		Invert Tilt movements: ON/OFF
Reset		RESET and new calibration for all functions

5 DMX Channel Selection (DMX Protocol)

5.1 Normal-Mode 18 DMX channels

Channel	Function	Time and Value	DMX	HEX	%	
1) PAN-coarse			0..255	00..FF	0..100	
2) PAN-fine			0..255	00..FF	0..100	
3) Tilt-coarse			0..255	00..FF	0..100	
4) Tilt-fine			0..255	00..FF	0..100	
5) Color (fixed)	Colors adjustable via RGBW		0..7	00..07	0..2.5	
	Color 01 - Red ¹⁾		8..15	08..0F	3..5.5	
	Color 02 - Amber ¹⁾		16..23	10..17	6..8.5	
	Color 03 - Warm Yellow ¹⁾		24..31	18..1F	9..12.5	
	Color 04 - Yellow ¹⁾		32..39	20..27	13..15.5	
	Color 05 - Green ¹⁾		40..47	28..2F	16..18.5	
	Color 06 - Turquoise ¹⁾		48..55	30..37	19..21.5	
	Color 07 - Cyan ¹⁾		56..63	38..3F	22..24.5	
	Color 08 - Blue ¹⁾		64..71	40..47	25..27.5	
	Color 09 - Lavender ¹⁾		72..79	48..4F	28..30.5	
	Color 10 - Malve (Mauve) ¹⁾		80..87	50..57	31..34.5	
	Color 11 - Magenta ¹⁾		88..95	58..5F	35..37.5	
	Color 12 - Pink ¹⁾		96..103	60..67	38..40.5	
	White - CTO	3200K		104..111	68..6F	41..43.5
	White	5600K		112..119	70..77	44..46.5
	White - CTB	7200K		120..127	78..7F	47..49.5
Rainbow Effect Stop ²⁾			128	80	50	
Rainbow Effect ³⁾	slow - fast		129..223	81..DF	51..88	
Random colors	slow - fast		224..255	E0..FF	89..100	
6) Red	Color mixing system - Red	0 - 100%	0..255	00..FF	0..100	
7) Green	Color mixing system - Green	0 - 100%	0..255	00..FF	0..100	
8) Blue	Color mixing system - Blue	0 - 100%	0..255	00..FF	0..100	
9) White	Color mixing system - White	0 - 100%	0..255	00..FF	0..100	
10) Shutter	Shutter closed		0..15	00..0F	0..5.5	
	Shutter pulse random	slow – fast	16..47	10..2F	6..18.5	
	Up-dimming then Shutter closing (random patterns)	slow – fast	48..79	30..4F	19..31	
	Shutter open then down-dimming (random patterns)	slow – fast	80..111	50..6F	32..43	
	Up-dimming then down-dimming (random patterns)	slow – fast	112..143	70..8F	44..56	
	Strobe effect pause	5s - 0.1s		160..199	A0..C7	63..77
	Strobe effect slow - fast	1 Hz - 10 Hz		200..239	C8..EF	78..94
	Shutter open			240..255	F0..FF	95..100
11) Dimmer	Dimmer	0 - 100%	0..255	0..FF	0..100	
12) CTO	No CTO		0..7	0..07	0..2.5	
	Continuous color temperature correction	Applicable for ALL colors	8..255	08..FF	3..100	
13) Special	Pattern Block 1 → channel 17		0..3	00..03	0..1	
	Change PWM frequency		100..200	64..C8	40..78	
	RESET		250..255	FA..FF	98..100	
14) Movement macros	No macros		0	00	0	
	Movement	Size	Phase	Use "Speed" to adjust		
	PAN	1	0°	01..01	01..01	0.5
		1	90°	02..03	02..03	1.0
		1	180°	04..05	04..05	1.7

Channel	Function	Time and Value	DMX	HEX	%	
		1	270°	06..07	06..07	2.5
	PAN	2	0°	08..09	08..09	3.3
		2	90°	10..11	0A..0B	4.1
		2	180°	12..13	0C..0D	4.9
		2	270°	14..15	0E..0F	5.7
	PAN	3	0°	16..17	11..11	6.5
		3	90°	18..19	12..13	7.3
		3	180°	20..21	14..15	8.0
		3	270°	22..23	16..17	8.8
	PAN	4	0°	24..25	18..19	9.6
		4	90°	26..27	1A..1B	10.4
		4	180°	28..29	1C..1D	11.2
		4	270°	30..31	1E..1F	12
		TILT	size / phase see PAN	32..63	20..3F	13..25
		PAN / TILT	size / phase see PAN	64..95	40..5F	26..37
		PAN / TILT (inverse)	size / phase see PAN	96..127	60..7F	38..50
		Circle	size / phase see PAN	128..159	80..9F	51..62
		Circle (inverse)	size / phase see PAN	160..191	A0..BF	63..75
	Lying eight	size / phase see PAN	192..223	C0..DF	76..87	
	Random movement	size / phase see PAN	224..255	E0..FF	88..100	
15) Speed	Pan/Tilt movement speed from controller		0..1	00..01	0..0.5	
Pan/Tilt	Pan/Tilt, slow – fast Use this channel also for the speed of the movements (channel 14).		02..255	02..FF	1..100	
16) Zoom	Wide - narrow (spot)		0...255	00...FF	0...100	
17) Pattern	No pattern		0..2	00..02	0..1	
	Pre-defined patterns		03..253	03..FD	2..99	
	Activates direct access to LED Pattern		254..255	FE..FF	100	
18) Pattern Byte 1	Direct access to Pattern of LED 1..7		0...255	00...FF	0...100	

5.2 Compress-Mode 14 DMX channels

Channel	Function	Time and Value	DMX	HEX	%	
1) PAN-coarse			0..255	00..FF	0..100	
2) PAN-fine			0..255	00..FF	0..100	
3) Tilt-coarse			0..255	00..FF	0..100	
4) Tilt-fine			0..255	00..FF	0..100	
5) Color (fixed)	Colors adjustable via RGBW		0..7	00..07	0..2.5	
	Color 01 - Red ¹⁾		8..15	08..0F	3..5.5	
	Color 02 - Amber ¹⁾		16..23	10..17	6..8.5	
	Color 03 - Warm Yellow ¹⁾		24..31	18..1F	9..12.5	
	Color 04 - Yellow ¹⁾		32..39	20..27	13..15.5	
	Color 05 - Green ¹⁾		40..47	28..2F	16..18.5	
	Color 06 - Turquoise ¹⁾		48..55	30..37	19..21.5	
	Color 07 - Cyan ¹⁾		56..63	38..3F	22..24.5	
	Color 08 - Blue ¹⁾		64..71	40..47	25..27.5	
	Color 09 - Lavender ¹⁾		72..79	48..4F	28..30.5	
	Color 10 - Malve (Mauve) ¹⁾		80..87	50..57	31..34.5	
	Color 11 - Magenta ¹⁾		88..95	58..5F	35..37.5	
	Color 12 - Pink ¹⁾		96..103	60..67	38..40.5	
	White - CTO	Color temperature 3200K		104..111	68..6F	41..43.5
	White	Color temperature 5600K		112..119	70..77	44..46.5
White - CTB	Color temperature 7200K		120..127	78..7F	47..49.5	
Rainbow Effect Stop ²⁾			128	80	50	
Rainbow Effect ³⁾	slow - fast		129..223	81..DF	51..88	
Rainbow Effect, random colors	slow - fast		224..255	E0..FF	89..100	
6) Red	Color mixing system - Red	0 - 100%	0..255	00..FF	0..100	
7) Green	Color mixing system - Green	0 - 100%	0..255	00..FF	0..100	
8) Blue	Color mixing system - Blue	0 - 100%	0..255	00..FF	0..100	
9) White	Color mixing system - White	0 - 100%	0..255	00..FF	0..100	
10) Shutter	Shutter closed		0..15	00..0F	0..5.5	
	Random Pulse effect	slow - fast	16..47	10..2F	6..18.5	
	Up-dimming then Shutter closing (random patterns)	slow - fast	48..79	30..4F	19..31.5	
	Shutter open then down-dimming (random patterns)	slow - fast	80..111	50..6F	32..43	
	Up-dimming then down-dimming (random patterns)	slow - fast	112..143	70..8F	44..56	
	Strobe effect pause	5s .. 1s	144..199	A0..C7	57..77	
	Strobe effect, slow - fast	1 Hz .. 10 Hz	200..239	C8..EF	78..94	
	Shutter open		240..249	F0..F9	95..97.5	
	Shutter open		251..255	FB..FF	99..100	
11) Dimmer	Dimmer	0 - 100%	0..255	0..FF	0..100	
12) Zoom	Wide - narrow (spot)		0...255	00...FF	0...100	
13) Special	Pattern Block 1 → channel 14		0..3	00..03	0..1	
	Change PWM frequency		100..200	64..C8	40..78	
	RESET		250..255	FA..FF	98..100	
14) Pattern	No pattern		0..2	00..02	0..1	
	Pre-defined patterns		03..253	03..FD	2..99	

5.3 High Resolution (Extended) -Mode 19 DMX Channels

Channel	Function	Time and Value	DMX	HEX	%
1) PAN-coarse			0..255	00..FF	0..100
2) PAN-fine			0..255	00..FF	0..100
3) Tilt-coarse			0..255	00..FF	0..100
4) Tilt-fine			0..255	00..FF	0..100
5) Red-coarse	Color mixing system – Red	0 - 100%	0..255	00..FF	0..100
6) Red-fine	Color mixing system – Red-Low		0..255	00..FF	0..100
7) Green-coarse	Color mixing system – Green	0 - 100%	0..255	00..FF	0..100
8) Green-fine	Color mixing system – Green-Low		0..255	00..FF	0..100
9) Blue-coarse	Color mixing system – Blue	0 - 100%	0..255	00..FF	0..100
10) Blue-fine	Color mixing system – Blue-Low		0..255	00..FF	0..100
11) White-coarse	Color mixing system – White	0 - 100%	0..255	00..FF	0..100
12) White-fine	Color mixing system – White-Low		0..255	00..FF	0..100
13) Shutter	Shutter closed		0..15	00..0F	0..5.5
	Random Pulse effect	slow - fast	16..47	10..2F	6..18.5
	Up-dimming then Shutter closing (random patterns)	slow - fast	48..79	30..4F	19..31.5
	Shutter open then down-dimming (random patterns)	slow - fast	80..111	50..6F	32..43
	Up-dimming then down-dimming (random patterns)	slow - fast	112..143	70..8F	44..56
	Strobe effect pause	5s - 1s	144..199	A0..C7	57..77
	Strobe effect, slow - fast	1 Hz - 10 Hz	200..239	C8..EF	78..94
	Shutter open		240..249	F0..F9	95..97.5
	Shutter open		251..255	FB..FF	99..100
14) Dimmer-coarse	Dimmer	0 - 100%	0..255	0..FF	0..100
15) Dimmer-fine	Dimmer - Low		0..255	0..FF	0..100
16) Zoom	Spot - Flood		0..255	00..FF	0..100
17) Special	Pattern Block 1 → channel 18		0..3	00..03	0..1
	Change PWM frequency		100..200	64..C8	40..78
	RESET		250..255	FA..FF	98..100
18) Pattern	No pattern		0..2	00..02	0..1
	Pre-defined patterns		03..253	03..FD	2..99
	Activates direct access to LED Pattern		254..255	FE..FF	100
19) Pattern Byte 1	Direct access to Pattern of LED 1..7		0...255	00...FF	0...100

¹⁾ The predefined colors can be used as start-colors for the Rainbow effect. Please select first a desired start-color before you activate the rainbow effect. All **IMPRESSION X4S** will then start from that color and will execute the rainbow effect synchronously. Different **IMPRESSION X4S** can have different start-colors but will still execute the rainbow effect synchronously. If you choose a color different from the ones marked with ¹⁾ in the tables above the rainbow start-color will be red.

²⁾ Rainbow-effect Stop will pause this function. After resuming the rainbow-effect will be continued from the current color.

³⁾ The Rainbow-effect will run synchronously only if started from one of the predefined colors (see also point ¹⁾ before).

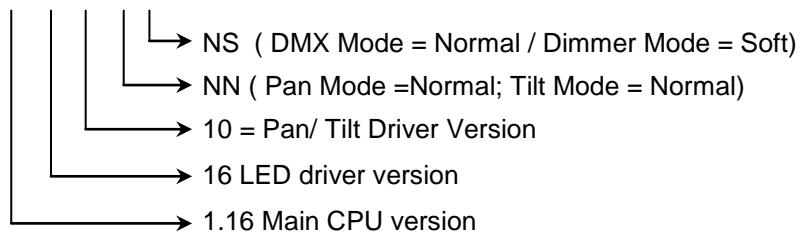
Locking and unlocking the Control Panel

Please lock and unlock the control panel by pressing the menu keys **MODE & ENTER & UP** at the same time.

Additional Display Indications

As a default you'll find the following additional information in the first row of the LCD display:

Vxx/xx/xx/xx/x (e.g. V1.16/10/16/NN/NS)



6 Maintaining and Cleaning the IMPRESSION X4S

The **IMPRESSION X4S** is a fixture of very low maintenance. It is only necessary to clean the air inlets and outlets as well as the optical LED lenses from time to time. For safe operation it is absolutely essential that the fixture is kept clean and that dust, dirt and smoke-fluid residues must not build up on, or within the fixture. Otherwise the fixture's light-output will be significantly reduced or damages can occur. Regular cleaning will not only ensure the maximum light-output, but will also allow the fixture to operate reliably throughout its life.

A soft lint-free cloth moistened with any good glass cleaning fluid is recommended, under no circumstances should alcohol or solvents be used!



Attention:

Under no circumstances should alcohol or solvents be used to clean the lenses!

6.1 Safety regulations

- **Pull out the mains power plug!**
- Wait min. 15 minutes after disconnecting power to allow the fixture to cool down.

6.2 Maintenance and Interval (rule-of-thumb)

The contamination of the fixture depends on the environment details. Hence no general guidelines can be given. The intervals given below are only suggestions from our experience.

Position	Interval	In this way
LED reflector and optical system	weekly	soft brush /lint-free cloth
Fan and air channel	monthly	vacuum cleaner, airbrush, etc.

Attention:

- **Never let optical parts come into contact with oil, fat, alcohol or similar solvents.**
- **Before running the fixture wait until all parts are dry.**
- **Never touch lenses with bare fingers.**

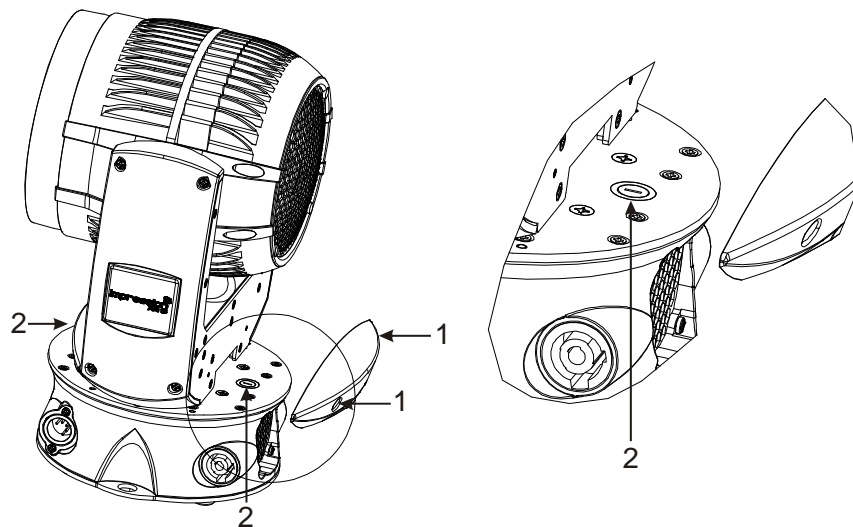
6.3 Changing the Fuse

Follow the safety regulations as described above!

There are two micro-fuses (2) located opposite of each other on the topside of the base. In order to attain access you first need to remove one of the two plastic side covers of the fixture arm. Open the two screws no. 1 shown in the picture below.

Replace the fuse(s) with one with the exact rating as printed in this manual or the body of the fixture. Never use a different one!

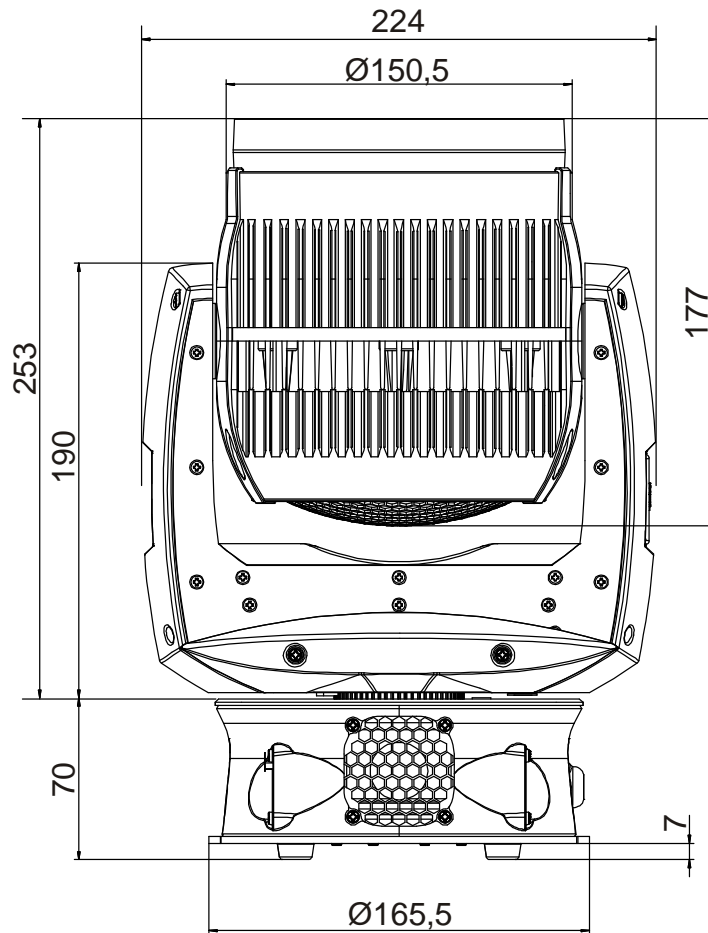
Attach the side cover again before operating the fixture.



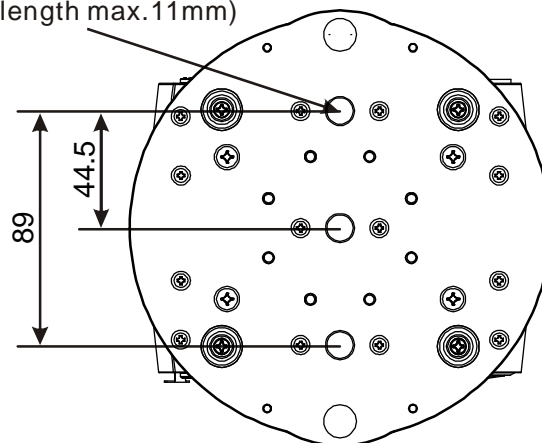
7 Technical Specifications

Power supply	
Power consumption	110 VA (Watt)
Power Input	~100-240 V AC, 50-60 Hz (wide range input)
Power connectors	NEUTRIK® powerCON Power-in: NAC3FCA / NAC3MPA (blue) Power-out: NAC3FCB / NAC3MPB (grey)
Fuse protection	2x Micro-fuse 5x20 mm, T2A
Operational Parameters	
Max. Ambient Temperature	5° - 45°C (integrated overheating switch)
Mounting Position	Any (see relevant chapter)
Lighting System - Additive Color mixing	
LED Type	7 x Osram Ostar RGBW multi-chip
Lifetime	50,000 h
Wavelength optimized for maximum presentable color space	
Optical System	
Full RGBW / High efficient Collimator cluster	
Shutter / Dimmer (8/16 Bit)	
Strobe- Effect with variable speed between 1 - 10 flashes per second, Random-Strobe, Pulse-Effects	
Continuous Dimmer 0 - 100%	
Zoom	
7 to 50 degree continuous zoom	
Optical Patterns	
Several pre-defined beam patterns with direct access and manipulation	
DMX Control	
Standard USITT DMX-512, 5-pin XLR; [+] = Pin 3 / [-] = Pin 2 / [Ground] = Pin 1 / Pin 4&5 N.C. The DMX- Addressing starts at the DMX channel [001].	
Pan / Tilt (8/16 Bit)	
Pan- movement	630° in min. 3,2 seconds (Position Feedback)
Tilt- movement	220° in min. 1,5 seconds (Position Feedback)
Weights and Measures	
Base only	Ø 165,5 mm
Total width of fixture	224 mm
Height (head vertical)	323mm
Weight (net)	5.5 kg

8 Dimensions



3x M10
(length max. 11mm)



Fixture from below

9 Index

B

beam-lights	6
BGV C1.....	7

C

Cleaning.....	19
Compress-Mode	16

D

Danger of BURNING	5
Description of Device.....	4
Dimensions	22
DIN VDE 0711-217	7
Display Indications	18
DMX	11

E

e-mail.....	1
EN 60598-2-17	10
Enter-key	11

H

High Resolution (Extended) -Mode	17
--	----

L

LED Class 2M	5
---------------------------	---

M

Maintenance	19
Menu Field.....	11
Micro-fuse	10
Mode-key	11
Mounting	7
Mounting in hanging Position	8
Mounting in sidewise Position	9
Mounting on the Floor.....	8

N

NEUTRIK® powerCON	10
Normal-Mode	14

O

Optical parts	19
----------------------------	----

P

Pan- Movement.....	21
plano-convex lenses	6
Power Supply	10

R

RESET	14
--------------------	----

S

Safety distance	7
Safety information	6
Safety Instructions	5
Secure the Device	10
Software Version.....	1
sunlight.....	6

T

Technical Specifications	21
Tilt- Movement	21

U

Up/Down-keys	11
---------------------------	----

V

VBG 70	7
--------------	---

W

Warranty claims	5
Weights and Measures	21

