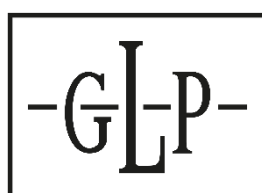


Quick Start and Safety Manual

impression[®] S500 Profile HO/HC



Software v.0.4.3
Rev. 20250116-01



Document revisions

Revision number	Notes	Date released
20250116-01	First release of the Quick Start and Safety Manual for the impression S500 Profile HO/HC. Covers firmware v. 0.4.3	January 2025

GLP® impression S500 Profile HO/HC Quick Start and Safety Manual

© 2025 German Light Products GmbH. All rights reserved.

The marks 'GLP' and 'German Light Products' are trademarks registered as the property of German Light Products GmbH in Germany, in the United States of America and in other countries.

The information contained in this document is subject to change without notice. German Light Products GmbH and all affiliated companies disclaim liability for any injury, damage, direct or indirect loss, consequential or economic loss or any other loss occasioned by the use of, inability to use or reliance on the information contained in this document.

Manufacturer head office:

German Light Products GmbH (GLP), Industriestrasse 2, 76307 Karlsbad, Germany
Tel (Germany): +49 7248 92719 - 0

Service & Support EMEA:

GLP, Industriestrasse 2, 76307 Karlsbad, Germany
Tel. (Germany): +49 7248 9271955
Email: support@glp.de
www.glp.de

Service & Support USA:

GLP USA, 16170 Stagg St., Van Nuys, CA 91406
Tel (USA): +1 818 767 8899
Support (US): info@germanlightproducts.com
www.germanlightproducts.com

Table of Contents

1. Safety	4
Key to symbols.....	4
General safety information.....	4
Electrical safety.....	6
Fire safety and protection from burns.....	6
Eye safety.....	7
Strobe safety.....	7
Installation safety and protection from personal injury	8
Waste disposal.....	8
2. Avoiding damage to the fixture.....	10
General precautions	10
Avoiding damage from light sources and heat.....	10
Avoiding damage from dust and airborne particles	11
Transportation and storage.....	11
3. Impression S500 Profile HO/HC overview	12
4. Features	13
User Manual.....	13
Tilt lock.....	13
5. Installation.....	15
Mounting options	15
Securing the fixture with a safety cable	15
Standing the fixture on a horizontal surface	16
Installing on a rigging truss or similar structure	16
6. AC mains power.....	18
Power input cable.....	18
Connecting to power.....	18
Installing power connectors.....	18
7. Connecting to control system	20
DMX512 control	20
Art-Net and sACN control	20
CRMX wireless control (option)	20
8. Starting and stopping operation	21
Transportation and storage.....	21
9. Service	22
Cleaning	22
GLP Service and Support.....	22
10. Technical specifications.....	24
11. Dimensions.....	27

1. Safety

Key to symbols

The following symbols are used in this Guide:



Warning! Safety hazard. Risk of severe injury or death.



Warning! Hazardous voltage. Risk of lethal or severe electric shock.



Warning! See user documentation for important safety information.



Warning! Fire hazard.



Warning! Risk of eye injury.



Warning! Hot surface. Risk of burn injury.



Important Information for correct use of the product



General safety information

Read this manual carefully before installing, using or servicing the GLP impression S500 Profile HO/HC lighting fixture.

If you have any doubts or questions about how to use the fixture safely, contact your GLP® supplier for assistance. Your GLP supplier will be happy to help.

The user documentation for The impression S500 Profile HO/HC lighting fixture consists of:

- The **Quick Start and Safety Manual** (this document), supplied with fixtures and available for download from www.glp.de. The Quick Start and Safety Manual contains important safety information and installation instructions that the installer and user must read.
- The **User Manual**, available for download from www.glp.de. The User Manual explains features and control options of fixtures.
- The **DMX Channel Index**, available for download from www.glp.de. The Channel Index is a separate guide to the DMX control channel layout and DMX commands available.

All documents are available for download from www.glp.de.

The impression S500 Profile HO/HC is intended for use by experienced professionals with the knowledge and skills to set up, operate, and maintain high-powered, remotely controlled lighting equipment safely and efficiently. These operations require expertise that may not be provided in this Manual or in the User Manual.

- Respect all warnings and directions given in the fixture's user documentation and on the fixture. Read the user documentation and familiarize yourself with the safety precautions it contains before installing or using the fixture. GLP and affiliated companies will take no responsibility for damage or injury resulting from disregard for the information in the user documentation.
- Check the GLP website at www.glp.de and make sure that you have the latest version of this manual. Check the fixture software version indicated on page 2 of this manual and then use the fixture's control panel to check the version installed in the fixture. If the versions are not the same, this manual may still cover the fixture, because software updates do not always affect the way you use the fixture. However, it is possible that this manual does not match the fixture perfectly. Software release notes can help clarify this question. You can consult software release notes and download the correct version of this manual on the GLP website if necessary.
- Make all user documentation – this Quick Start and Safety Manual as well as the User Manual – available to all installers and operators. Save both documents for future reference.
- If you have any questions about the safe operation of the fixture, please contact an authorized GLP distributor (see list of distributors at www.glp.de).
- The fixture is not suitable for household use or for use in any location where unattended children have access to it.
- Use the fixture only as directed in its user documentation. Observe all markings in this manual and on the fixture.
- Refer any repairs and service operations that are not described in this manual to a technician authorized by GLP.
- The light source in this fixture must not be changed by the end user.
- Read and follow the user documentation for all additional equipment.



Electrical safety

- Do not allow the product to come into contact with water or moisture.
- Use only a source of AC mains power that complies with local building and electrical codes and has both overload and ground fault (earth fault) protection.
- Ensure that the fixture is electrically connected to ground (earth).
- Disconnect the fixture from AC mains power before carrying out any installation or maintenance work and when the fixture is not in use.
- Disconnect the fixture from power immediately if any seal, cover, cable, connector or other component is damaged, defective, deformed or showing signs of overheating. Do not reapply power until the fixture has been repaired and made safe by a technician authorized by GLP.
- Check that all power distribution equipment, cables and connectors are in perfect condition, rated for the electrical requirements of all connected devices, suitable for their application and suitable for the installation environment.
- Use only a Neutrik PowerCON TRUE1 TOP-type cable connector for AC mains power input at the fixture's Mains IN.
- Use minimum 14 AWG or 1.5 mm² power input cables that are minimum 16 A-rated and temperature-rated to suit the application. In the USA and Canada the cables must be UL-listed, type SJT or equivalent. In the EU the cables must be type H05VV-F or equivalent.
- The supplied power input cord (cable) is rated as follows:
 - US power cord: 16 A, 14 AWG, UL-listed, E304117, SJT, length 4.9 ft.
 - EU power cable: 16 A, 1.5 mm², H05VVF-F, length 1.5 m.
- If a fuse blows, replace it with one of the original type and rating only. If new fuses blow, disconnect the product from power and send it to a technician authorized by GLP for repair.



Fire safety and protection from burns

- Do not operate the fixture if the ambient temperature (Ta) exceeds 45° C (113° F).
- The surface of the fixture can become hot during operation. Avoid contact by persons and materials. Do not install the fixture in a location where there is a risk of accidental contact. Allow the fixture to cool for at least 20 minutes before handling
- Keep the fixture well away from flammable materials.

- Keep all combustible materials (e.g. fabric, wood, paper) at least 0.2 m (8 in.) away from the fixture.
- Ensure that there is free and unobstructed airflow around the fixture.
- Do not illuminate surfaces within 1 m / 3.3 ft. of the fixture. The light output from the fixture is powerful enough to cause burns or fire in illuminated objects at very close range.
- Do not stick filters, masks or other materials onto the fixture unless they are supplied or approved by GLP. Do not block the light output in any way. The front surface becomes hot during operation and can melt or ignite objects that are in contact with the surface. Ensure that the front surface is clean and unobstructed at all times in order to prevent a fire hazard and prevent damage to the fixture.
- The fixture's optical components can focus the sun's rays, creating a risk of fire and damage. Do not expose the front of the fixture to sunlight or any other intense light source, even from an angle.



Eye safety

- The impression S500 Profile HO/HC is classified as a Risk Group 2 lighting fixture according to EN 62471 at a distance of 1 m (3.3 ft.). Possibly hazardous radiation emitted. Do not stare into the light output from the fixture. May be harmful to the eyes.
- Do not look at the fixture's light output with optical instruments or any device that may concentrate the light output.
- Make sure that persons near to or working on the fixture are not looking directly into the light output when the fixture lights up suddenly. This can happen when power is applied, when the fixture receives a DMX signal, or when certain control menu items are selected.
- Provide well-lit conditions to reduce the pupil diameter of anyone working on or near the fixture.



Strobe safety

- Flashing light, particularly at 5 - 30 Hz, may cause seizures in persons with photosensitive epilepsy. Do not use strobe effects for extended periods.
- Comply with local regulations on the use of strobe lighting and notify the public in advance with highly visible warning signs when strobe effects are used.
- If a seizure occurs, stop using strobe effects. Seek professional medical help. Note the time that the seizure starts and finishes. Call emergency medical help urgently if the seizure lasts more than five minutes, if it is the person's first

seizure, or if the person is injured. While waiting for help to arrive, protect the affected person from injuring themselves on hard or sharp objects. If necessary, move the person to a safe place. Lay them on their side with their head supported to prevent it from hitting the floor. Loosen any tight clothing around their neck. Do not use force to hold the person or restrict their movements. Do not put anything in their mouth, including your fingers.



Installation safety and protection from personal injury

- Installation must be performed by qualified personnel only and carried out in accordance with applicable regulations such as DIN VDE 0711-217.
- The fixture is not portable when installed.
- Ensure that the supporting structure and installation hardware used can hold at least ten times the weight of the load that they support.
- Fasten the fixture to a structure or surface only as directed in this manual and only with hardware that is specifically designed and rated for its purpose. Do not use a safety cable as the primary means of support. Check that installation hardware is in perfect condition. Fasteners must be steel grade 8.8 strength or better. Rigging clamps must be half-coupler type that completely encircle the rigging truss chord.
- If the fixture is installed in a location where it could cause injury or damage if it falls, install as directed in this manual a safety cable or similar secondary attachment that will hold the fixture if a primary attachment fails. The secondary attachment must be approved by an official body such as TÜV as a safety attachment for the weight that it secures, it must comply with EN 60598-2-17 Section 17.6.6, and it must be able to support a static suspended load that is ten times the weight that it secures.
- Check that all covers and items of rigging hardware are secure before using the fixture. Do not operate the fixture with missing or damaged covers, shields or any optical component.
- Restrict access below the work area and work from a stable platform whenever installing, servicing or moving the fixture.
- If the fixture becomes damaged, stop using it immediately and disconnect it from power. Do not attempt to use a fixture that is obviously damaged.
- Do not modify the fixture in any way not described in its user documentation.
- Install genuine GLP parts only.

Waste disposal

As a consumer, you are required to return end-of-life devices to the manufacturer or to a designated collection point for the disposal of electrical and electronic equipment in order to ensure environmentally-friendly disposal. Observe the current regulations in your location. This product and its packaging have been

manufactured using high-quality materials and components that can be recycled and reused. This reduces waste and protects the environment. Dispose of the packaging in an environmentally-friendly manner at a designated collection point.



This product is labelled in accordance with the EU Waste Electrical and Electronic Equipment Directive (WEEE). It contains a non-removable rechargeable battery. Do not dispose of the product in ordinary household waste.



Warning! Incorrect disposal of batteries creates a hazard to the environment and to health!

Batteries and rechargeable batteries must never be disposed of with household waste. They contain pollutants such as heavy metals which can be harmful to the environment and human health if disposed of improperly. Valuable raw materials such as iron, zinc, manganese or nickel can be recovered from battery waste. As a consumer, you are legally obliged to hand in used batteries and rechargeable batteries for environmentally-friendly disposal at retailers or appropriate collection points in accordance with national or local regulations. The return service is free of charge. You can obtain addresses of suitable collection points from your city council or local authority.

Do not litter the environment by leaving batteries (or electrical and electronic devices that contain them) lying around carelessly. The separate collection and recycling of batteries and rechargeable batteries makes an important contribution to relieving the impact on the environment and avoiding health risks.

2. Avoiding damage to the fixture



Important! Follow the directions in this section carefully, or the fixture may suffer damage that is not covered by the product warranty.

General precautions

- Do not drop the fixture or expose it to mechanical stress.
- Protect the LCD display and control panel from shocks, or they may suffer damage that is not covered by the product warranty.
- Clean optical components only as directed in the fixture's user documentation. Oils, solvents, and other chemicals commonly used for cleaning can damage the lens coatings and surfaces.
- Use only original spare parts. Do not make any structural modifications to the fixture, or you will void the product warranty.
- Create loose cable bends only. Do not subject connectors to bending forces or allow connectors to bear the weight of long lengths of cable.

Avoiding damage from light sources and heat

- Do not point the front of the fixture towards the sun or other strong light sources. Strong light can cause internal damage to the fixture, melting components or starting an internal fire within seconds.

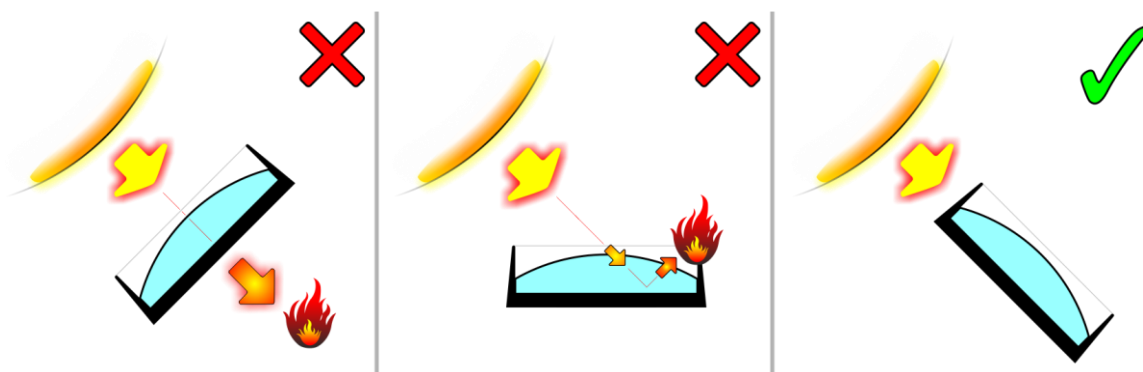


Figure 1. Avoiding damage from light sources

- Damage can occur whether the fixture is powered on or off. See Figure 1. Damage can also occur if the light hits the front of the fixture at an angle: the fixture does not need to be pointing *directly* at the sun or other light source.
- To avoid problems from strong light sources:
 - Do not expose the front of the fixture to sunlight or any other strong light source.
 - In outdoor applications during daylight, make sure that the front face of the fixture is shielded or points away from the sun at all times, even when the fixture is not in use.

- Do not aim other high-powered lighting fixtures directly at the fixture.
- Do not operate the fixture in ambient temperatures outside the range 5° C (41°F) to 45° C (113°F).
- Allow free airflow around the fixture.

Avoiding damage from dust and airborne particles

- Carry out regular visual inspections of the fixture to make sure that there is no accumulation of dirt, especially on the front of the fixture and around air vents.
- If cleaning is necessary, follow the instructions in 'Service' on page 22.

Transportation and storage

- Transport the fixture in its original packaging to protect it from damage caused by shocks during transportation.
- Store the fixture in a dry location when not in use.



Release the fixture's tilt lock before putting the fixture in its flightcase or other protective container for transportation. Before closing the flightcase, check that the protective liner in the flightcase will hold the head and protect it from shocks.

3. impression S500 Profile HO/HC overview

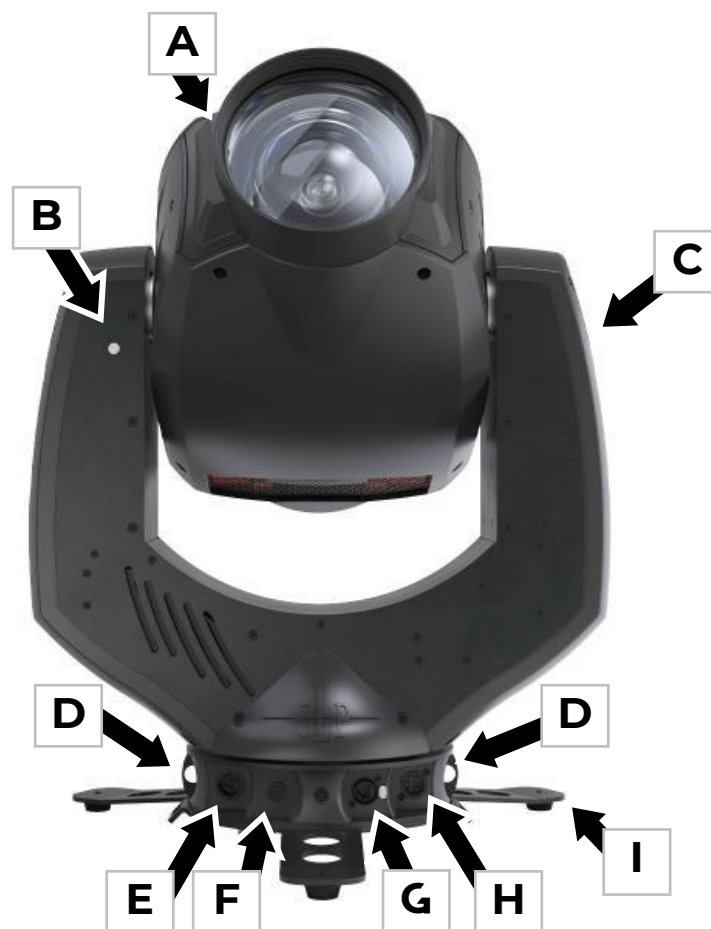


Figure 2. Impression S500 Profile HO/HC overview

- A - Head**
- B - Tilt Lock**
- C - Control panel with backlit display and NFC sensor (on side)**
- D - Base with Safety Cable attachment points**
- E - AC mains power IN (powerCON TRUE1 TOP)**
- F - Mains fuse**
- G - etherCON port A ethernet connection, fail-safe**
- H - DMX IN (5-pin XLR)**
- I - Tripod base plate for free standing use (on other side of base)**
 - DMX OUT (5-pin XLR)
 - etherCON port B ethernet connection, fail-safe

4. Features

The GLP impression S500 Series builds on the GLP impression S350 series fixtures by increasing the LED power to 500W giving 30% to 65% more output. In addition, the optics, software and all connections and controls have been updated to the latest technology. Compact construction, the identical S350 size factor and GLP's baseless design allow for an easy fixture integration.

The impression S500 Profile comes in two versions (Profile HC and Profile HO) and targets specific needs of different markets.

- The Profile HC Version houses a white LED Engine with 26,000 lm at native 6,000 K and generates a very balanced light spectrum for great color rendering of CRI and TLCI above 90. Its great light quality guarantees natural and realistic skin colors and a total lumen output of 10,700 lm.
- The Profile HO Version houses a white LED Engine with 40,000 lm at native 7,000 K. This highly efficient light source generates more output for powerful projections and mid-air effects with a total lumen output of 14,800 lm.

Both versions share a very even field illumination in the range of 7.5° to 40° field angle. The vast feature package houses a CMY color mixing system, an innovative CTC color control system, a color wheel with 6 full colors and 4 color correction filters, a gobo wheel with 7 rotating gobos plus open, a second gobo wheel with 10 static gobos plus open, a 90° adjustable animation wheel, a fadeable frost system from soft to medium, a precise 4-blade framing system with blade tilt and framing rotation, a rotating 8-facet prism and motorized 540°/565° pan and 256° tilt movement.

The IP20 compact housing only weighs 26.9 kg and allows low-noise operation, making the fixtures perfect for noise sensitive professional applications such as TV studios, theatres and musicals (HC Version), while the higher output of the HO Version is perfect for applications such as shows, concerts, galas, events, trade shows, festivals, clubs, bars and discotheques.

User Manual

This Quick Start and Installation Manual gives a very basic overview of control options and functions. See the impression S500 Profile HO/HC User Manual available for download from www.glp.de for full details of control, internal functions, etc.

Tilt lock



Important! Before transporting the fixture in its original packaging or in a flight case, release the tilt lock and make sure that the head is supported to prevent it from moving.

The impression S500 Profile HO/HC has a tilt lock that can be used to stop the head moving while you are carrying or servicing the fixture.

You can lock the head in either vertical or horizontal position.

See Figure 3. The lock button is located on the side of the yoke. To engage the lock:

1. Check that power to the fixture is shut down.
2. Move the head into either vertical or horizontal position.
3. Press the tilt lock button in and move the head slightly until you feel the lock engage.
4. To unlock, push the tilt lock button out from the other side of the fixture yoke.
5. Ensure lock is released before reapplying power to the fixture and before transporting it.



Figure 3. Tilt lock button

5. Installation



Warning! Read 'Safety' starting on page 4 for important safety information that you must understand before you install or operate the fixture. Install impression S500 Profile HO/HC fixtures only as described in this chapter, or you may create an installation that is unsafe.

It is the installer's responsibility to provide a stable, secure supporting structure that is suitable for the environment and application and that meets all applicable codes and legal requirements. Note the requirement to secure lighting fixtures with safety cables in temporary installations.

Mounting options

An impression S500 Profile HO/HC fixture may be installed in one of the following ways:

1. Standing horizontally on a horizontal surface.
2. Fastened to a rigging truss or similar structure at any angle using the supplied brackets and two or more rigging clamps (optional accessories).

Securing the fixture with a safety cable

If a fixture can cause injury or damage if it falls you must secure it with at least one secondary attachment such as a safety cable that will hold it if the primary means of attachment fails. The safety cable must be approved for the weight that it secures. In multiple installations, each fixture must have its own safety cable. To secure a impression S500 Profile HO/HC fixture with a safety cable:

1. Obtain a safety cable that is approved for the weight of the fixture and rigging hardware that it will secure.
2. Loop the cable around a secure anchoring point such as a truss chord or fixed structure so that it will catch the fixture if a rigging clamp fails. Take up as much slack as possible in the safety cable (by looping it more than once around the truss chord, for example).
3. See Figure 4. Fasten the safety cable to one of the attachment points on the base of the unit (there are points on both sides of the base).
4. If there is any danger that the fixture may swing dangerously from the safety cable if a primary attachment fails, add a second safety cable as described above, fastening it to the second safety cable eyelet.



Figure 4. Safety cable attachment

5. Check that the fixture will now be caught safely by the safety cable if a primary attachment fails.

Standing the fixture on a horizontal surface

The impression S500 Profile HO/HC fixture is supplied with a tripod base plate to allow it to stand horizontally on a stable horizontal surface where it is not accessible to the public. The base plate attaches using quarter-turn fasteners.

If there is a risk of the fixture moving or falling, pass a ratchet strap, webbing or other suitable bracing strap through the strap attachment points in the tripod plate (see Figure 5) and fasten it to secure anchoring points.

Make sure that the strap is tight enough to hold the fixture, but do not distort attachment points by overtightening the strap.

If there is any danger of injury or damage if the fixture falls from the surface, secure it with a safety cable as described in 'Securing the fixture with a safety cable' on page 15.

Make sure that the head will not collide with anything when it tilts and pans.

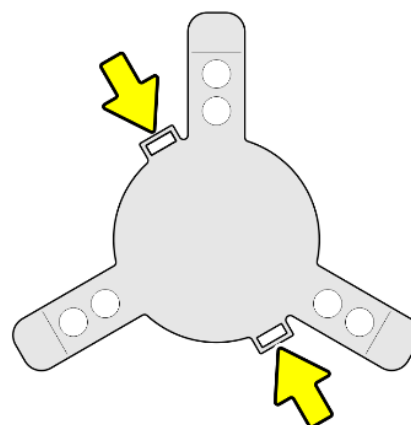


Figure 5. Strap attachment points in tripod base plate

Installing on a rigging truss or similar structure

You can suspend an impression S500 Profile HO/HC fixture from a rigging truss or pipe using the two omega brackets supplied with the fixture and rigging clamps that are available from GLP as optional accessories. Rigging clamps may also be fitted directly to the base of the unit.

If you are going to install the fixture hanging vertically downwards from a horizontal rigging truss or pipe, you can fasten it to the truss using G-clamps. If you are going to install the fixture in any other orientation or if the rigging truss is not horizontal, you must use half-coupler-type clamps that completely surround the truss chord or pipe.

Rigging clamps must be approved for the weight that they will support.

The base of the fixture has two M10 threaded holes **A** and 4 mounting points **B** for quarter turn fasteners.

To install the impression S500 Profile HO/HC on a rigging truss or pipe using the supplied Omega brackets:

1. Check that the truss or pipe is secure and can safely hold ten times the weight that it will support.
2. See Figure 6. Bolt a rigging clamp securely to each of the two rigging (omega) brackets that are supplied with the fixture using high-tensile steel screws or bolts and self-locking nuts with washers passed through the central holes in the rigging brackets.
3. Fasten the omega brackets to the mounting points **B** in the bottom of the base using two quarter-turn fasteners per bracket. Turn each fastener a full 90° to lock it. The brackets may be fixed either side to side or front to back.
4. Hold the fixture up to the truss and use the rigging clamps to fasten the fixture securely onto the truss chord.
5. If there is any risk that the fixture will cause injury or damage if it falls, secure it with a safety cable that is approved for the weight of the fixture, rigging hardware, cables etc. as described in 'Securing the fixture with a safety cable' on page 15.

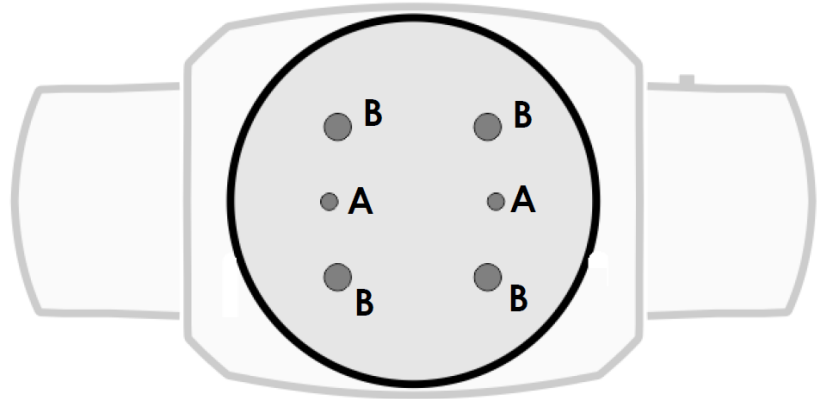


Figure 6. Base mounting points

Alternatively, you may install clamps directly on the base of the unit using the M10 threaded holes **A**. Ensure that the bolts will protrude at least 9mm into the base of the unit for secure mounting. The bolts must not protrude more than 11mm into the base.

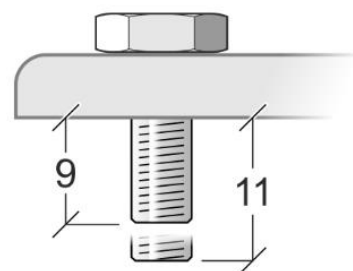


Figure 7. M10 mounting bolt min/max protrusion into base (mm.)

6. AC mains power



Warning! Read 'Safety' starting on page 4 for important safety information that you must understand before you install or operate the fixture.

Check that all cables and connectors are suitable for the installation environment and application (see recommendations in 'Avoiding damage to the fixture' on page 10).

Cables used for power input must meet the requirements listed under 'Electrical safety' on page 6.

Power input cable

The impression S500 Profile HO/HC is supplied with a power cord (power cable) with a powerCON TRUE1 TOP connector for AC mains power input.

Connecting to power

The AC mains power supply must include a connection to ground / protective earth. It must be protected against ground / earth leakage and overload. The fixture's internal auto-sensing power supply accepts AC power at 100-240 V, 50/60 Hz. Do not connect the fixture to power at any other voltage or to an external dimmer.

The impression S500 Profile HO/HC does not have a power ON/OFF switch. Power is applied to the fixture as soon as the power cable becomes live.

The impression S500 Profile HO/HC has a 3-conductor powerCON TRUE1 TOP Mains IN power input socket that accepts AC power from a TRUE1 TOP female cable connector. Although TRUE1 connectors support hot-plugging, it is still good practice to shut down power to power cables before connecting them to fixtures.

To connect the fixture to power:

1. If possible, shut down power to the power input cable.
2. Note the position of the keys and keyways on the TRUE1 TOP power cable connector and Mains IN socket and align them with each other carefully. Insert the cable connector into the socket and twist clockwise to lock. Do not use force. If the connector feels excessively stiff, remove it and check that it is lined up correctly.
3. Before applying power to the power cable, check that the pan/tilt locks are released, that nobody is looking directly into the front of the fixture and that there is no risk of collision if the head moves without warning.

To disconnect the fixture from power, pull the latch on the cable connector outwards to release it, then twist the connector counterclockwise and pull to remove it from the socket.

Installing power connectors

If you need to replace the cord cap / power plug on the supplied power cord / power input cable, check that the cord cap / plug is rated minimum 250 V, 16 A, that it has a connection to ground / earth and that it has an integral cable grip. Follow the cord cap / plug manufacturer's assembly instructions.

If you need to install a powerCON TRUE1 TOP connector on a power cable, follow the instructions given in the Support area of the Neutrik website at www.neutrik.com.

Respect the color coding used in the supplied power cable and in your local mains power wiring system. US and EU systems use the color coding shown below:

	Live or L	Neutral or N	Ground / Earth or ⊕
US system	Black	White	Green
EU system	Brown	Blue	Green / Yellow

7. Connecting to control system

Check that all cables and connectors are suitable for the installation environment and application (see recommendations in 'Avoiding damage to the fixture' on page 10).

DMX512 control

The impression S500 Profile HO/HC supports the USITT DMX 512A control data signal protocol. Two 5-pin XLR connectors are provided for IN and THRU connections on a DMX data link using standard DMX protocol. Connectors use standard DMX pinout:

- Pin 1 = Ground
- Pin 2 = Negative / data cold
- Pin 3 = Positive / data hot.
- Pins 4 and 5 are not used.

We recommend the use of digital 110 Ohm DMX cable with original Neutrik 5-pin TOP-type XLR connectors.

If you would like advice with planning and installing a DMX link, your GLP supplier will be happy to provide assistance.

Art-Net and sACN control

The impression S500 Profile HO/HC supports Art-Net and sACN control over an ethernet network connected to either of the etherCON connectors. Fixtures may be connected to the network by individual cables back to an ethernet switch, or may be linked together in daisy-chain by cabling into the first etherCON connector then linking out to the next fixture from the second etherCON connector.

The ethernet connectors are designed so that a through connection will be maintained to the next fixture if the fixture fails or loses power.

CRMX wireless control (option)

The impression S500 Profile HO/HC may be used with the LumenRadio CRMX protocol if a CRMX module (optional extra) is installed on the FPO port of the fixture. No connection is necessary but the fixture must be paired to the CRMX transmitter, see the impression S500 Profile HO/HC User Manual for further information.

8. Starting and stopping operation



Warning! Before you apply power to the impression S500 Profile HO/HC or operate it after a blackout, make sure that nobody is looking directly into the front of the fixture and that there is sufficient clearance for the head to move safely.

The fixture's TRUE1 TOP mains power input connector supports hot-plugging, and connecting and disconnecting a live power cable is an option, especially if you need to shut down power urgently, but it is still good practice to shut down power to the AC mains power circuit before connecting and disconnecting power cables.

To start operation, check that nobody is looking into the front of the fixture and that there is no risk of collision of the head moves without warning, then apply power to the AC mains power circuit.

To stop operation, shut down power to the AC mains power circuit.

Transportation and storage

We strongly recommend that you transport the fixture either in a flightcase or in its original packaging to protect it from damage during transportation. The product warranty does not cover damage caused by abnormal shocks during transportation and handling. Release the tilt lock and support the head during transport.

When the fixture is not installed, disconnect it from power and store it in a dry location.

9. Service



Warning! There are no user-serviceable parts inside the fixture. Any service operation that requires removal of a cover must be performed by a professional service technician with the tools, skills, and personal protective equipment to maintain high-powered lighting equipment safely and efficiently.

Servicing the fixture can expose the user to safety hazards. Read the 'Safety Precautions' section at the beginning of this manual carefully before carrying out any service or maintenance operation.

Regular cleaning is essential to get the best performance and service lifetime from your fixture. Accumulations of dust and dirt will cause loss of performance and overheating that may damage the fixture. Damage caused by lack of maintenance, improper service or improper cleaning is not covered by the product warranty.

The user can upload firmware (device software) using D3Prog or GLP iQ.Service. All other maintenance operations must be carried out by professionals or trained and qualified personnel. Please contact your GLP dealer for this.

Optical and mechanical components are subject to normal wear and tear during the product's lifetime. This may result in physical wear and gradual changes in optical characteristics such as color. The amount of wear depends strongly on the operating and environmental conditions. It is therefore impossible to give a general indication of when changes may occur and to what extent it may be necessary to replace optical or mechanical components.

Cleaning

GLP impression S500 Profile HO/HC fixtures require occasional cleaning to prevent the buildup of dust, dirt, and residue from atmospheric effects. Failure to keep the fixture clean will significantly reduce light output and may cause heat buildup and damage that is not covered by the product warranty. Regular cleaning will ensure maximum performance and reliable operation.

The cleaning schedule depends on the operating environment. Check fixtures regularly for signs of dirt buildup.

You can clean the fixture using a soft cloth slightly dampened with a household or automotive glass cleaning product. Do not apply pressure to the lens or the control display, as you may scratch these surfaces.

Ensure the ventilation slots are kept clear of fluff and dust build up using a vacuum cleaner.

GLP Service and Support

Contact information for the nearest GLP Service and Support is available online at www.glp.de/en/service, by email at info@glp.de, or by telephone at the following numbers:

- GLP Germany: +49 (7248) 927 19-55
- GLP N. America: +1 818 767-8899

www.glp.de

impression[®]
S500

- GLP UK: +44 1392 690140
- GLP Asia: +852 (3151) 7730
- GLP Nordic: +46 737 57 11 40

10. Technical specifications

Light Source

Type: White light LED
Light Source Count: 1
Light Source Power: 380W
Light Source Lifetime: 20,000h
LED Refresh Rate: Low, Optimal (default), High 1, High 2, Max
CCT: HC version 6,000K, HO version 7,000K
CRI (Ra): HC version 90+, HO version 70
TLCI: HC version 90+

Optical System

Output: HC version up to 10,700 lm, HO version up to 14,800 lm
Min. Zoom: 7.5°
Max. Zoom: 40°
Zoom Ratio: 1:5
Focus: 16 bit, focus tracking option

Effects

Framing Module: 4 separately movable shutters
each +/-30° positionable
100% positionable into the beam
rotatable module +/-45°
Dimmer / Shutter: 0-100% electronic
Effect Wheel: rotating (wave pattern)
Frost: 2-way (soft/medium)
Prism: 8-way
Gobo Wheel 1: 7 rotating Gobos + open
Gobo Wheel 2: 10 Gobos fixed
Color mixing: CMY color mixing, variable 0-100%, 8-bit
CTC (color temperature control): 2,500-8,000K using CMY system
Color Wheel: 10 fix color filters + open, 7 fix color filters + 4 spectral filter
Zoom: motorized
Movement
Pan (Degrees): 540°, 16-bit (extended 565°)
Tilt (Degrees): 256°, 16-bit

Control

DMX channels: 35
Control Modes: 1
Protocol:
DMX (USITT DMX512-A)
RDM (ANSI/ESTA E1.20)
Art-Net
sACN
optional Lumenradio CRMX plugin
FVP Port
Setting and addressing:

control panel with backlit graphic display
4 Button Menu Navigation
DMX
RDM
iQ.Mesh
Software Update:
DMX link
Via DProg
iQ.Mesh
via Service App
GLP iQ.Tool
Performance Modes: fast, normal (balanced), smooth
Dimming Curves: linear, soft, S-Curve
Fan Modes: regulated, high, medium, low, minimum
Others: Stand Alone 1 captured Scene
No Signal: blackout, hold, stand alone scene

Connectors

Signal connection:
XLR 5-Pin in/out
etherCON port A+B (failsafe)
powerCON TRUE1

Electrical Specifications

Power input: 100 – 240 VAC / 50 – 60Hz
Power supply: auto-ranging electronic switch-mode
max. power (@230V): 750 W

Thermal Specifications

Cooling: temperature controlled, overheating protection
max. ambient temperature (Ta max.): 45 °C / 113 °F
min. ambient temperature (Ta min.): 5 °C / 41 °F
Total heat dissipation (calculated, +/-10%): 2,600 BTU/h

Mounting Options

Mounting: 4 pair of 1/4-turn locks, 2 eyelets for safety cable
Standing: Removable baseplate with brackets for ratchet belt
Orientation: any
Location: dry
Min. distance to combustible materials: 0.1 m / 3.94 in.
Min. distance to illuminated surfaces: 1.0m / 39.4 in.

Construction

Housing Materials:
high-impact flame-retardant thermoplastic
Aluminum
steel metal plates
Protection Rating: IP 20

Construction Features: baseless design, Tilt-Lock-System

Shipping

Tourpack: 2-way
Flight Case
Omega Brackets

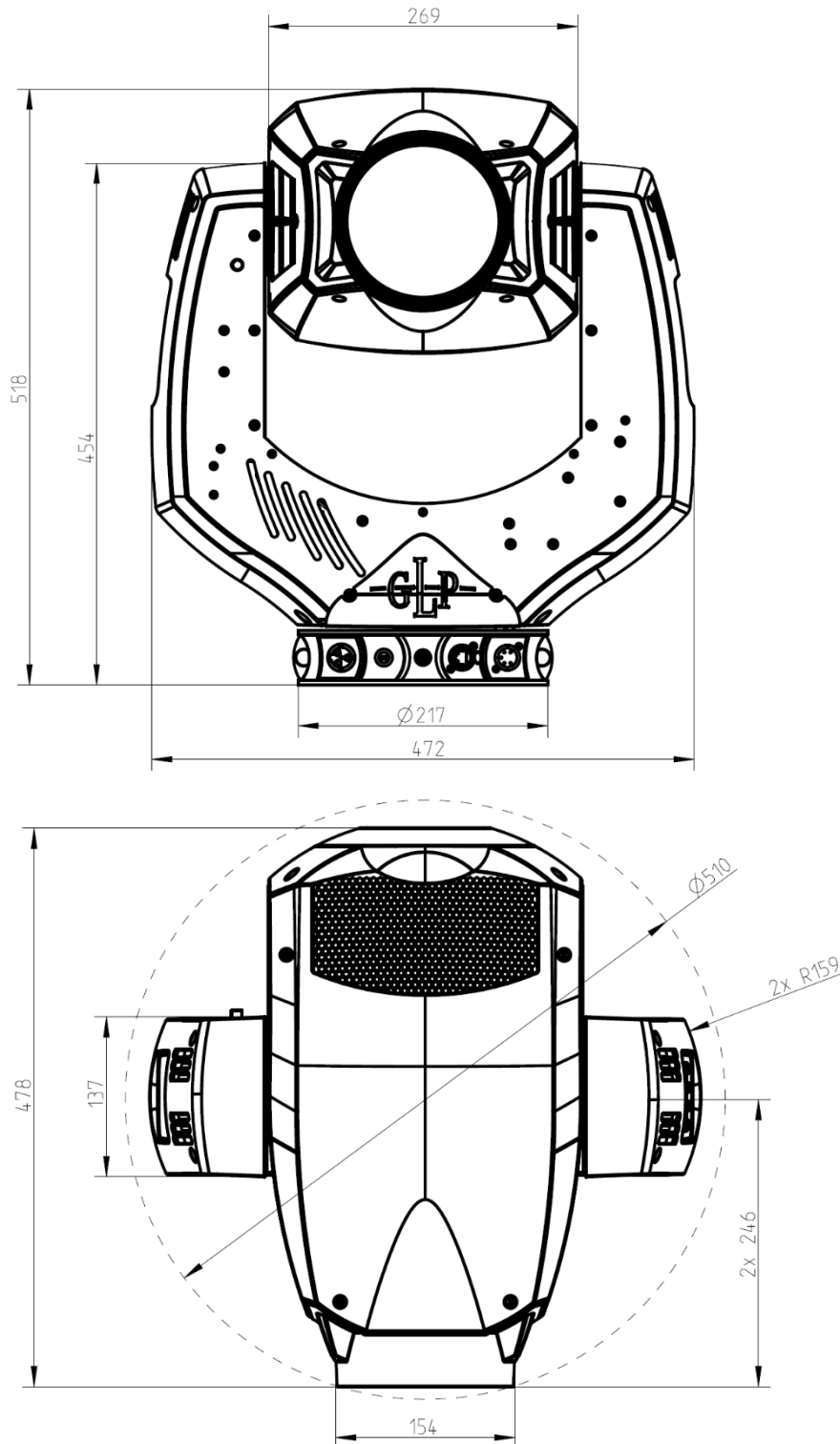
Dimensions & Weight

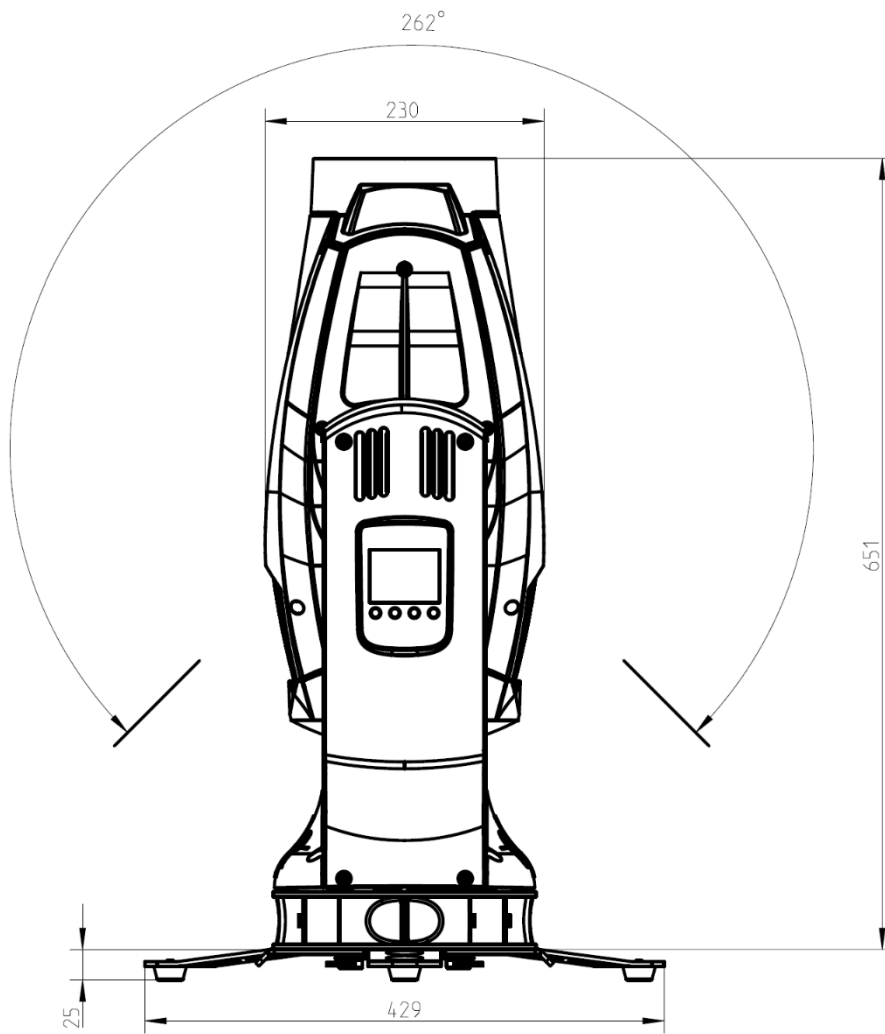
Height (head vertical): 642 mm / 25.3 in
Width (across yoke): 471 mm / 18.5 in
Length: 230 mm / 9 in
Weight: 26.9 kg / 57.4 lbs

11. Dimensions

impression S500 Profile HO/HC

All dimensions are in millimeters





-GLP-