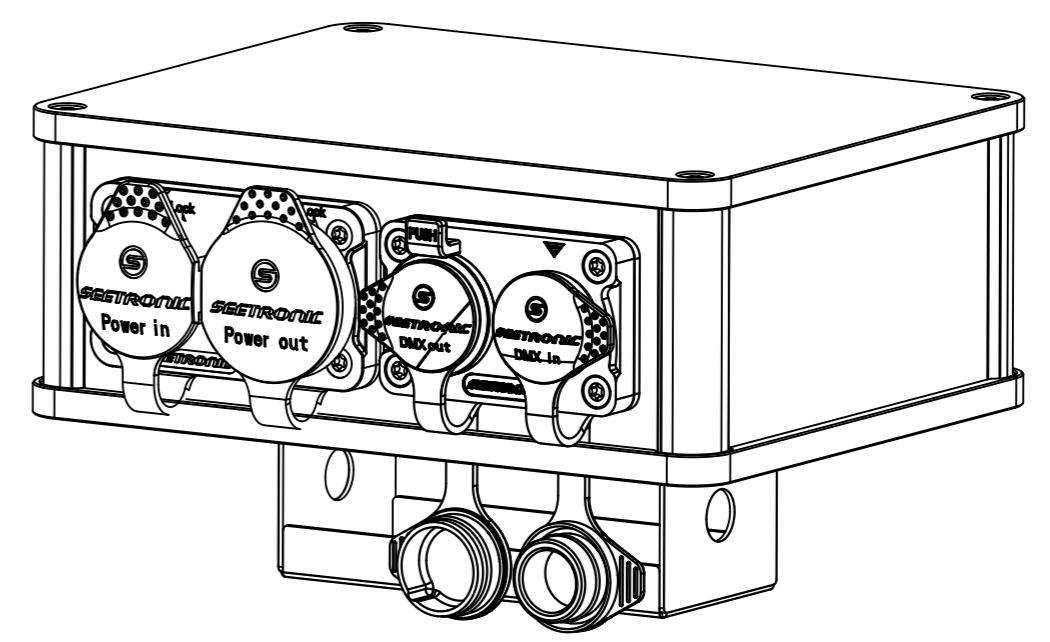
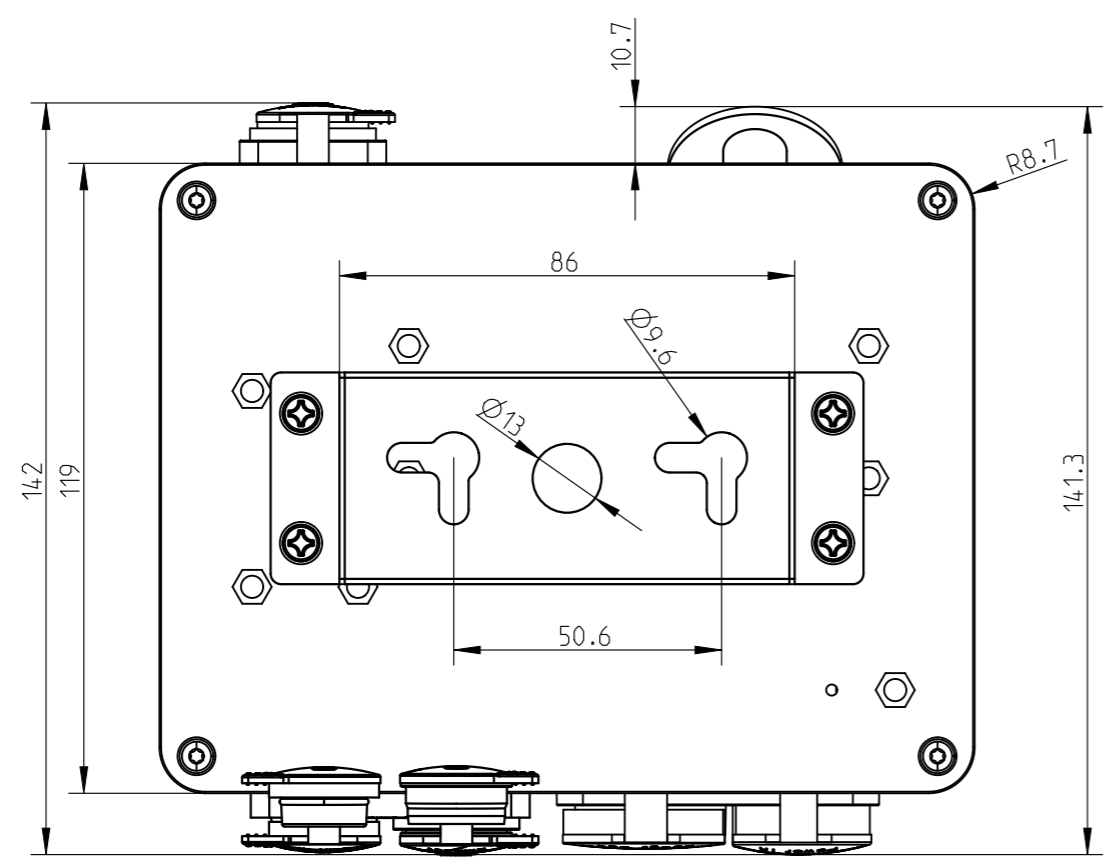
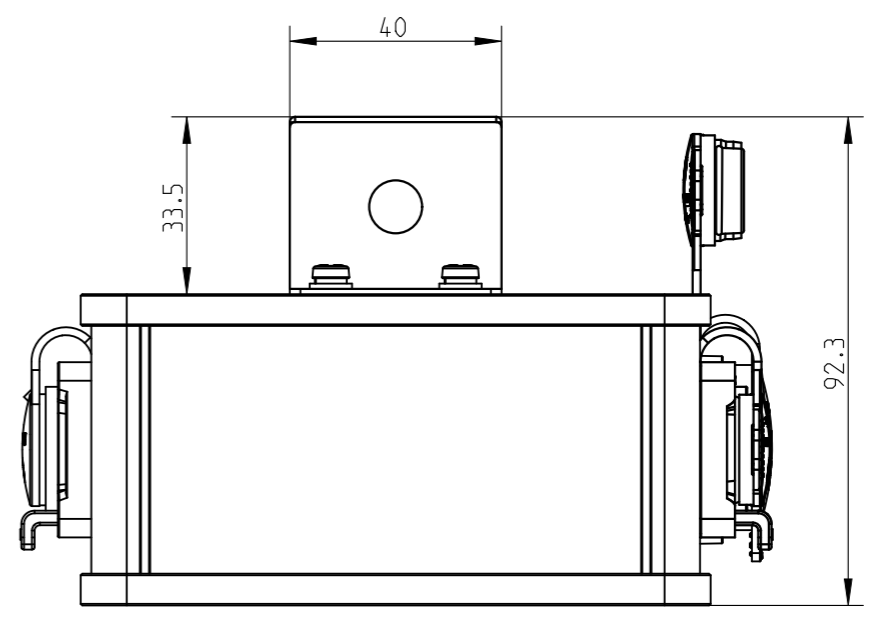
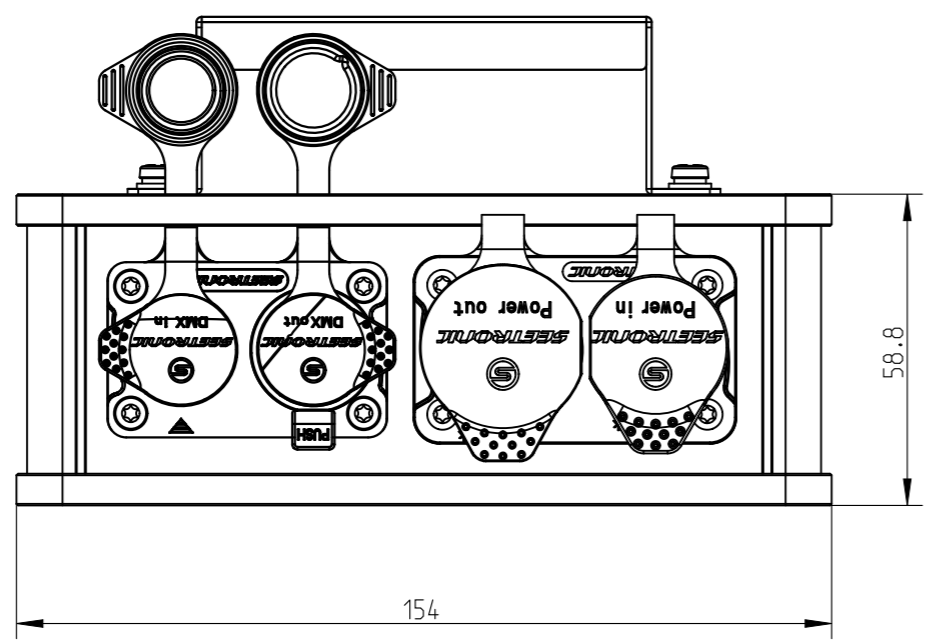



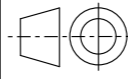
1 2 3 4 5 6 7 8

A  
B  
C  
D  
E  
F



NEW ISSUE	OLD ISSUE	COMMENTS / CHANGE DESCRIPTION	DATE
-	-	-	-
-	-	-	-
-	-	-	-

UNLESS OTHERWISE SPECIFIED:	DRW: -	ISSUE:	 German Light Products GmbH Industriestr. 2 76307 Karlsbad - Germany +49 (0)7248/92719-0 www.glp.de
Dimensional tolerances +6 = ± 0.05 6-30 = ± 0.1 30-120 = ± 0.15 >120 = ± 0.2 ANGLES = ± 0.5°	STATUS: SEE DDM/WATERMARK	DATE: -	
PROPRIETARY NOTICE:	SIZE A3	DWG NO.: X5 DOT PSU 150W	
All information herein is the sole and exclusive property of GLP, and may not be used, disclosed or reproduced in any manner without the advance written consent of GLP.	THIRD ANGLE PROJ.	DESCRIPTION:	MATERIAL:
		All dimensions are in millimeters unless noted otherwise	
	DO NOT SCALE	SCALE 7:10	FILENAME: GLP-PSU1-150
			SHEET 1 OF 1