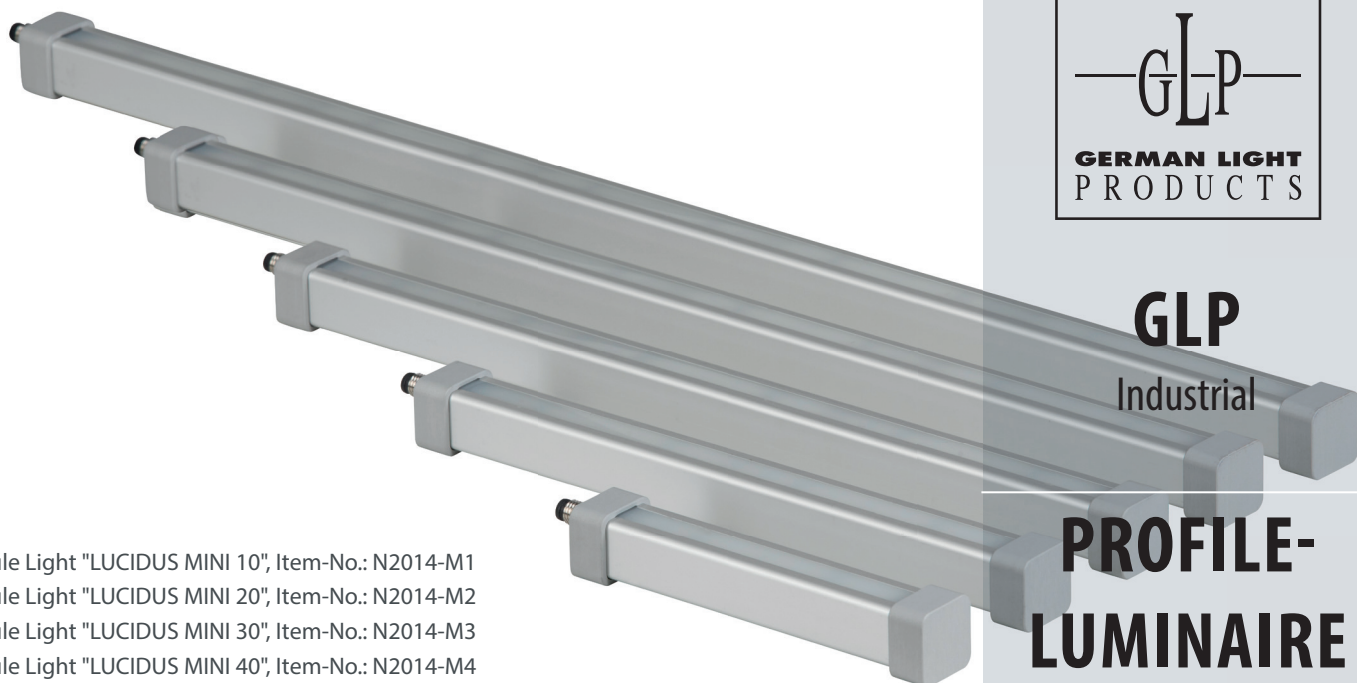




GLP
Industrial

PROFILE-LUMINAIRE



Profile Light "LUCIDUS MINI 10", Item-No.: N2014-M1
 Profile Light "LUCIDUS MINI 20", Item-No.: N2014-M2
 Profile Light "LUCIDUS MINI 30", Item-No.: N2014-M3
 Profile Light "LUCIDUS MINI 40", Item-No.: N2014-M4
 Profile Light "LUCIDUS MINI 50", Item-No.: N2014-M5

LUCIDUS MINI

■ Warranty 3 Years

Type	Mini 10	Mini 20	Mini 30	Mini 40	Mini 50
Overall dimensions in mm	130 x 23 x 23	230 x 23 x 23	330 x 23 x 23	430 x 23 x 23	530 x 23 x 23
Channel for fasteners (rear) in mm	8				
Beam angle in degrees	110				
Color rendering index Ra (CRI)	86				
Dimmable	Yes, with dimmable power supply				
LED type	LED module SMD (fixed)				
Protection Rating	equals IP 67				
Input voltage	DC 24 V				
Rated power in W	2.7	5.4	8.1	10.8	13.5
Luminous flux in Lumen	145	277	405	545	730
Color temperature – Light color	ca 4,900 K – Neutral white				
LED lifetime in hours	> 50,000				
Energy efficiency index	0.20	0.23	0.26	0.27	0.27
Energy efficiency class	A				
Weighted energy consumption in kWh/1000h	2.9	5.6	8.3	11	13.7

No responsibility taken for misprints, errors and technical changes. Technical drawings and product depictions are representative only and can vary from the original items. Technical data is subject to change without notice as a result of product modification. Subject to our general terms and conditions. © GLP GLP German Light Products GmbH | Industriestr. 2 | 76307 Karlsbad | Register court: Mannheim | Trade register (HRB): 361719 | CEO: Udo Künzler Telephone: +49 (0) 72 48 / 927 19 - 0 | Fax: +49 (0) 72 48 / 927 19 - 30 | E-Mail: info@glp.de | Internet: www.glp.de

Phone: +49 (72 48) 92 71 9 – 0
 E-Mail: info@glp.de